



REGENERATIVE BLOWERS

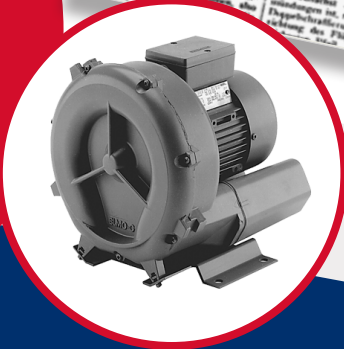
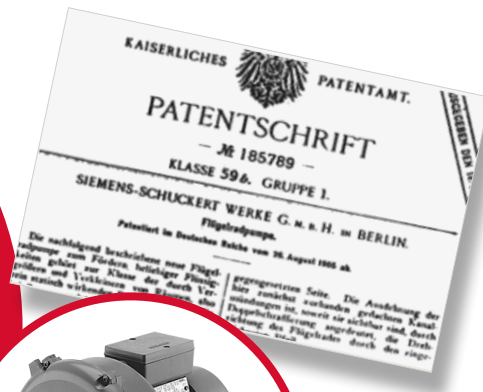
G Series



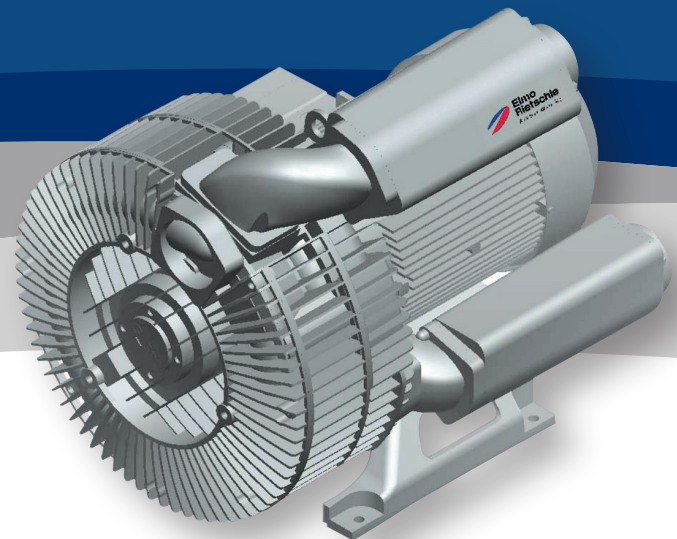
Did you know about...

our EXPERTISE?

We were the
FIRST
TO PATENT
regenerative
blower technology



We Have a Legacy of
Inventing Original Solutions
for Vacuum & Pressure



Did you know about the...

G Series RANGE?

COMMON APPLICATIONS

- Central vacuum systems
- Degassing
- Dental vacuum
- Flood damage drying
- Form/fill/seal
- Fishpond aeration
- Gas analyzers
- Industrial vacuum cleaners
- Laser printers
- Pneumatic conveying
- Letter sorting/envelope handling
- Vacuum lifting & holding
- Packaging industry
- Plastics industry
- Printing and paper industry
- Soil remediation
- Swimming pool technology/jacuzzis
- Textile industry
- Sewage Aeration

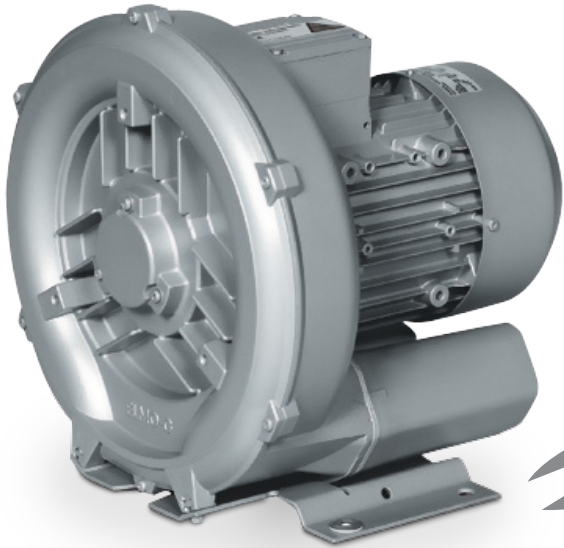


PRECISION
OPTIONS FOR
YOUR
APPLICATION

OVER
150
MODELS

Did you know about our...

REGENERATIVE BLOWERS?



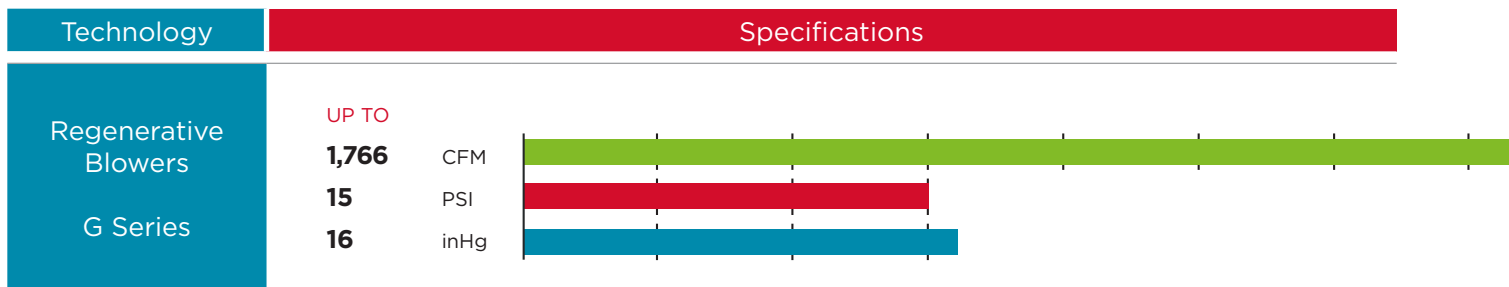
Some technologies are so good that it is hard to improve them. Regenerative blowers from Elmo Rietschle are such an example. They have proven their reliability in service for many decades, performing flawlessly day in and day out with virtually no down time. Noise levels are lower than that of most other vacuum pumps and compressors.

Our regenerative blowers are available in a wide selection for performance ranges up to 1,766 cfm at 60 Hz and differential pressures of up to 420 in. H₂O. With flexibility and power, these blowers cover a variety of demanding applications.

The G-Series regenerative blowers feature NEMA Premium motors with voltage ranges for 50 and 60 Hz in protection class IP 55 (insulation class F) and are UL 507 and CSA 22.2 No. 113 approved. This makes them the ideal solution for worldwide use.

Advantages at a Glance

- High CFM capacities moderate pressure/vacuum
- Ideal for point of use applications
- Easy installation
- Contact-less Operation
- Tolerant to dust ingestion
- VFD Compatible
- Quiet operation
- Up to 40,000 operating hours without maintenance (2BH2)

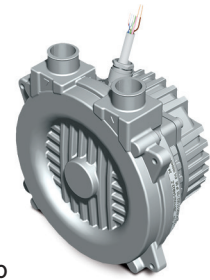


Product Overview

G-BH1 00

The smallest regenerative blower on the market

With a height and width of approximately 4.9 inches and a depth of approximately 2.4 inches, the G-BH1 00 blowers are the smallest regenerative blowers available on the market.

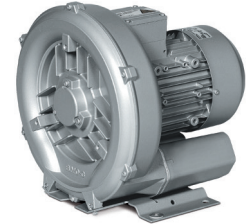


G-BH1 00

G-BH1

Classic with innovative technology

With their high inlet volume flow up to 1,413 cfm and a differential pressure of up to 313 in. H₂O, our low noise G-BH1 regenerative blowers have earned their reputation. They are reliable, low maintenance and durable. They deliver 20,000 operating hours between service and are virtually maintenance free.



G-BH1
single stage and double stage

G-BH2 VELOCIS

The regenerative revolution

Volume flow up to 520 cfm and differential pressure up to 420 in. H₂O. With its significantly expanded range of performance and lower noise levels, the regenerative technology can now be used in completely new fields of application that were previously inconceivable. They deliver 40,000 operating hours between service and are virtually maintenance free.

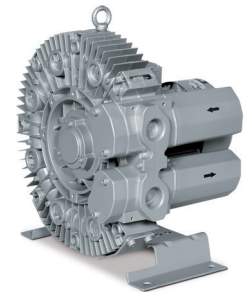


G-BH2 VELOCIS
single, double and triple stage

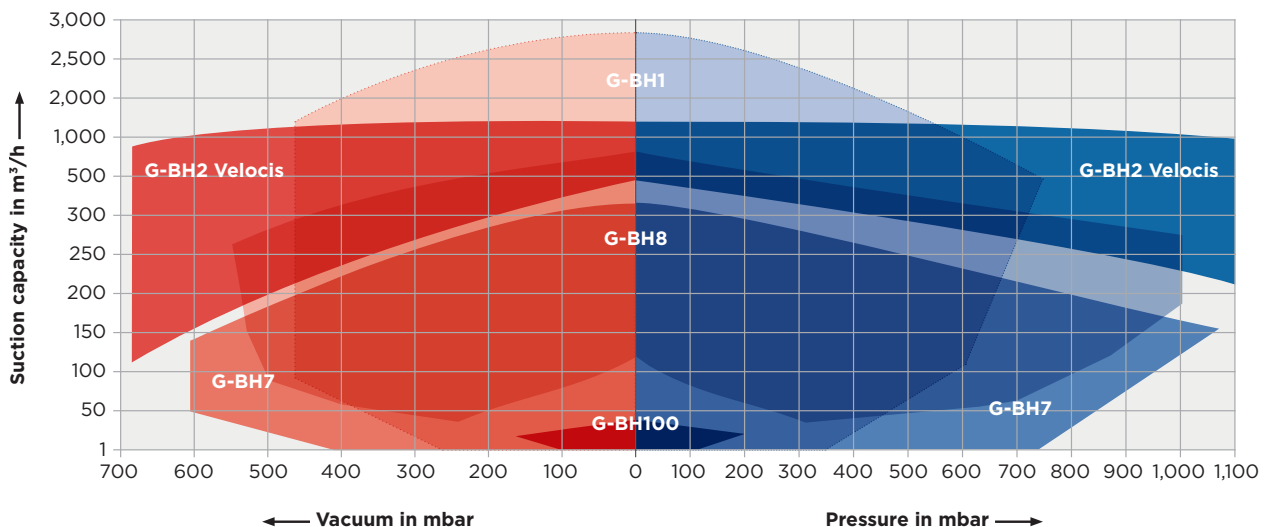
G-BH7

Unsurpassed at highest differential pressure

Our high performance G-BH7 regenerative blowers can create differential pressure of up to 435 in. H₂O. They deliver 20,000 operating hours between service and are virtually maintenance free.



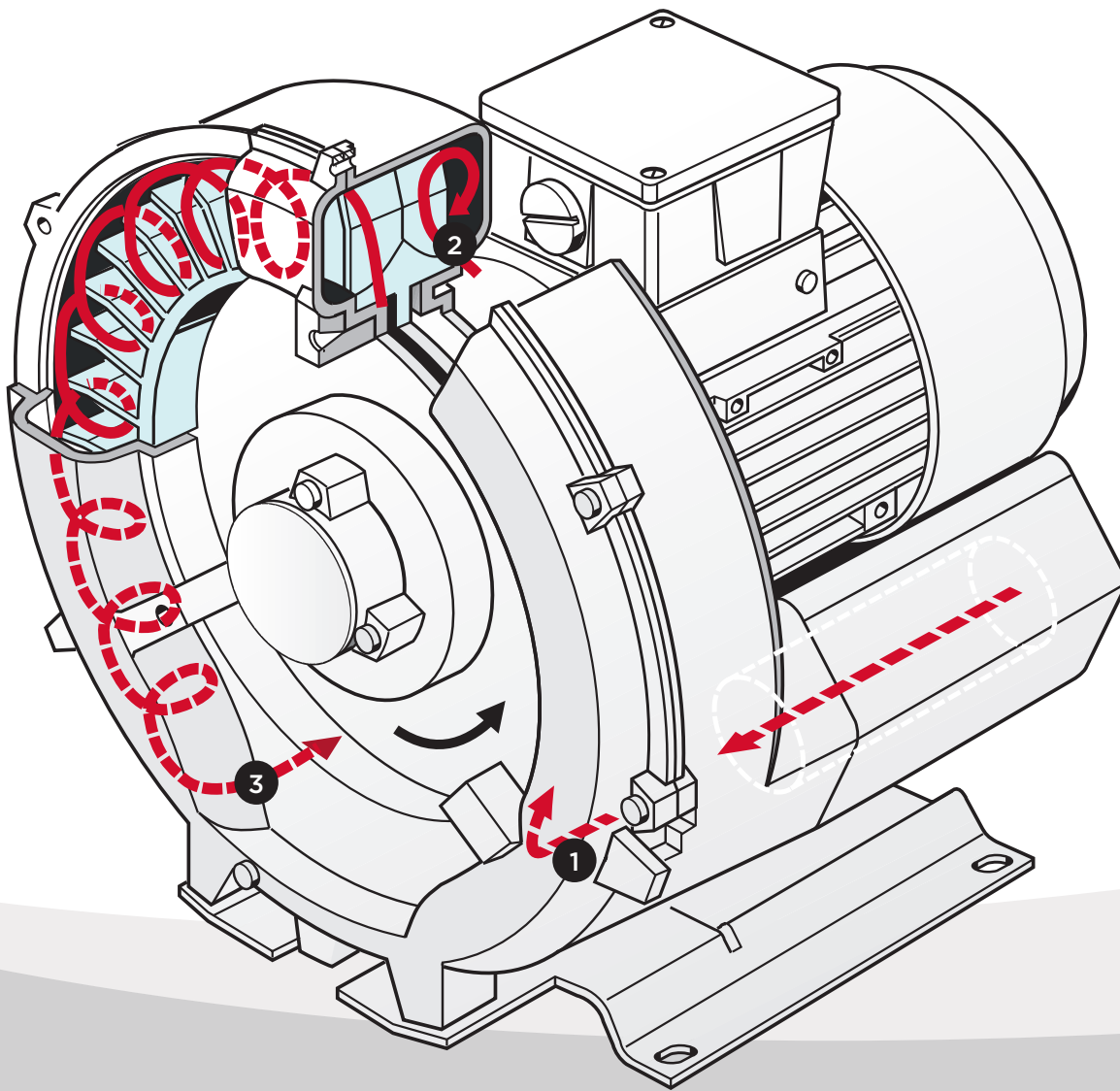
G-BH7
single stage



Operating Principle

The impellers in the G-Series machines are mounted directly on the motor shaft for contact free compression. Maximum operational reliability, even at high differential pressures, is ensured by the arrangement of the bearings outside the compression chamber.

1. Air/gas is taken in through the inlet and enters the side channel.
2. The rotating impeller imparts velocity energy into the air/gas in the direction of rotation. Centrifugal force in the impeller blades accelerates the air/gas outward, increasing pressure. Kinetic energy is imparted with every rotation resulting in further pressure increase.
3. The side channel narrows at the rotor, sweeping air/gas off the impeller blades and discharging it through the outlet silencer where it exits the blower.



We Are Where You Need Us

- Our distribution network is factory-trained and certified
- Local service includes support for re-build



Did you know about...
our **network?**


The leader in every market we serve
by continuously improving all business processes
with a focus on innovation and velocity



www.ElmoRietschle.com

©2024 Industrial Technologies and Services, LLC.
Printed in U.S.A.
ER-G-REGEN 2nd Ed. 7/24



 Please recycle after use.