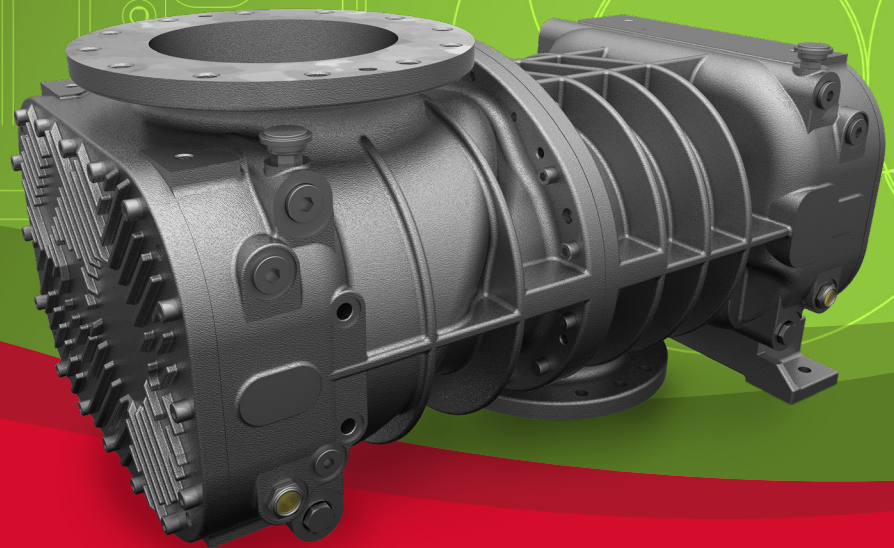




PD BLOWERS & VACUUM PUMPS | RETROFIT CROSSOVER DIMENSIONS

CycloBlower H.E. Series

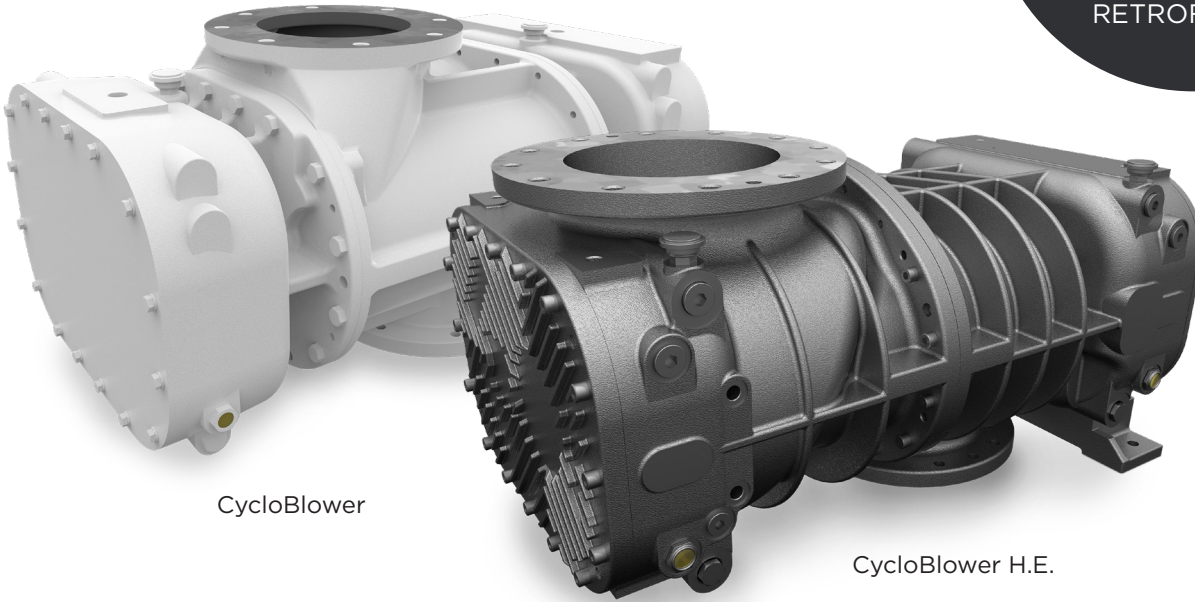


As the **only rotary screw bare** blower on the market, the CycloBlower allows the flexibility to:

- Retrofit your existing package
- Package the way you want it packaged
- Upgrade your current package
- Maximize performance without maxing out your budget
- Compact footprint saves floor space

CycloBlower
vs.
CycloBlower H.E.

DIMENSIONS
FOR
RETROFITTING



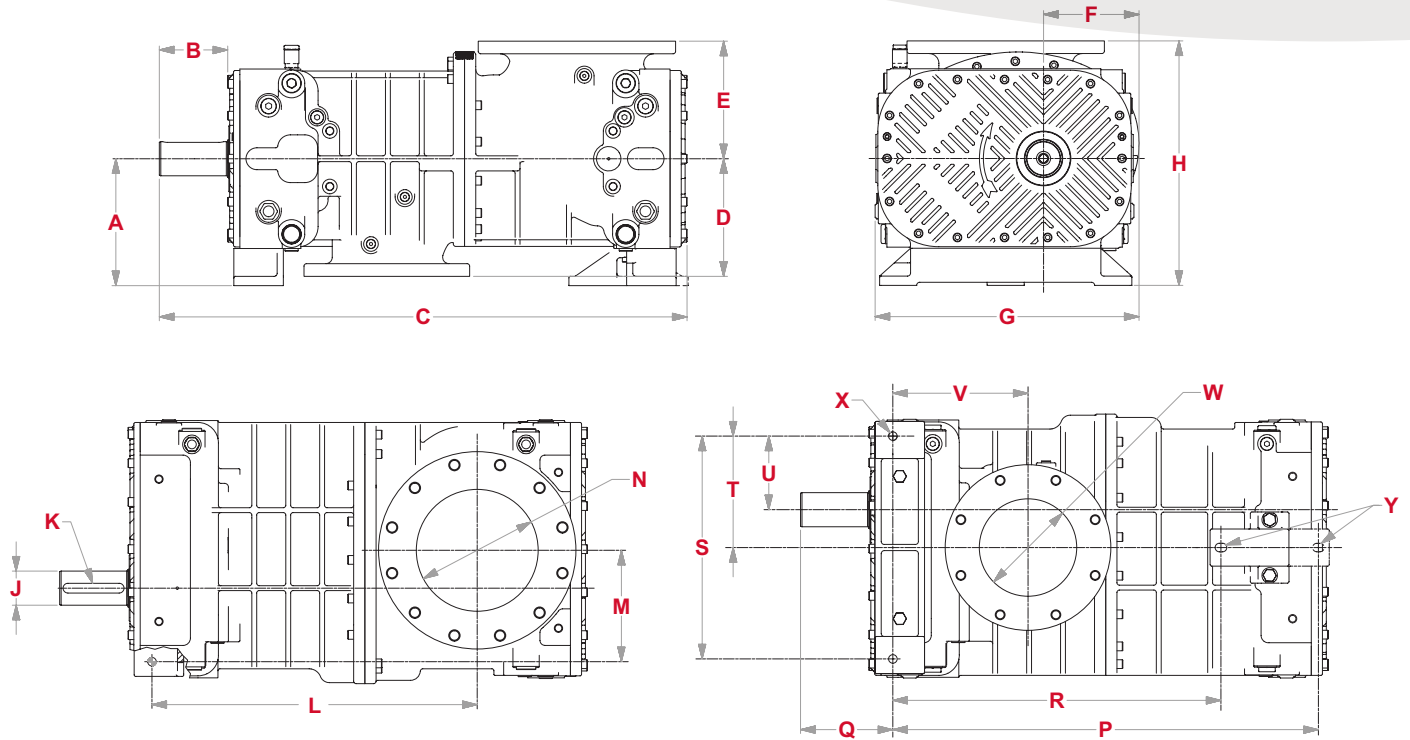
CycloBlower

CycloBlower H.E.

DIMENSIONS IN INCHES UNLESS OTHERWISE NOTED

MODEL	A	B	C	D	E	F	G	H	J	K	L
125CDL375	8.25	4.33	33.02	7	7	6.59	18.11	15.25	2.165	16 × 10 × 100 (mm) key	19.45
5CDL13	8.25	3.88	34	7	7	5.25	15	15.25	1.625	.38 × .38 × 2.50 in. key	13.82
5CDL9	8.25	3.88	30	7	7	5.25	15	15.25	1.625	.38 × .38 × 2.50 in. key	9.82
5CDL5	8.25	3.88	26	7	7.03	5.25	15	15.28	1.625	.38 × .38 × 2.50 in. key	7.82
160CDL480	10.25	5.51	42.63	9.5	9.5	7.7	21.3	19.75	2.76	12 × 20 × 125 mm key	26.28
7CDL17	10.25	5.31	40.5	9.5	9.5	7.13	20.38	19.75	2.125	.50 × .50 × 3.75 in. key	18.4
7CDL14	10.25	5.31	37.5	9.5	9.5	7.13	20.38	19.75	2.125	.50 × .50 × 3.75 in. key	15.4
7CDL11	10.25	5.31	34.5	9.5	9.5	7.13	20.38	19.75	2.125	.50 × .50 × 3.75 in. key	12.4
200CDL600	12.00	7.05	51.59	11.00	11.00	9.52	26.21	23.00	3.54	14 × 25 × 140 mm key	33.04
9CDL23	12.00	5.44	38.56	11.00	11.00	8.87	25.75	23.00	2.63	.50 × .50 × 2.25 in. key	23.75
9CDL18	12.00	5.44	43.56	11.00	11.00	8.87	25.75	23.00	2.63	.50 × .50 × 2.25 in. key	18.78
9CDL13	12.00	5.44	48.56	11.00	11.00	8.87	25.75	23.00	2.63	.50 × .50 × 2.25 in. key	17.25
250CDL750	15.88	8.42	63.65	13.00	13.00	10.55	31.18	28.88	3.94	16 × 28 × 180 mm key	38.47
11CDL31	15.88	7.94	61.25	13.00	13.00	11.25	33.00	28.88	3.25	.75 × .75 × 6.50 in. key	28.44
11CDL27	15.88	7.94	57.25	13.00	13.00	11.25	33.00	28.88	3.25	.75 × .75 × 6.50 in. key	22.44
11CDL23	15.88	7.94	53.25	13.00	13.00	11.25	33.00	28.88	3.25	.75 × .75 × 6.50 in. key	20.44

■ Variance between 125CDL375 & 5CDL. ■ Variance between 160CDL480 & 7CDL. ■ Variance between 200CDL600 & 9CDL. ■ Variance between 250CDL750 & 11CDL.



M	N	*P	Q	*R	S	T	U	V	W	X	Y
6.5	8" ANSI125FF	28.93	5.54	21.23	13	6.5	4.04	9.82	5" ANSI125FF	0.69	.69 x .94
6.5	5" ANSI125FF	28.87	6.68	21.25	13	6.5	4.25	9.82	5" ANSI125FF	0.69	.69 x .94
6.5	5" ANSI125FF	24.87	6.68	17.25	13	6.5	4.25	9.82	5" ANSI125FF	0.69	.69 x .94
6.5	3" ANSI125FF	20.87	6.68	13.25	13	6.5	4.25	7.82	3" ANSI125FF	0.69	.69 x .94
9	10" ANSI125FF	34.38	7.46	26.5	18	9	5.94	10.9	8" ANSI125FF	.69	.69 x .94
9	8" ANSI125FF	34.38	7.13	26.5	18	9	5.94	10.9	8" ANSI125FF	.69	.69 x .94
9	8" ANSI125FF	31.38	7.13	23.5	18	9	5.94	10.9	8" ANSI125FF	.69	.69 x .94
9	8" ANSI125FF	28.38	7.13	20.5	18	9	5.94	10.9	8" ANSI125FF	.69	.69 x .94
11.75	12" ANSI125FF	42.16	8.39	34.29	23.50	11.75	7.75	13.23	10" ANSI125FF	.81	.69 x .94
11.75	10" ANSI125FF	42.17	7.38	34.29	23.50	11.75	7.75	12.25	8" ANSI125FF	.81	.69 x .94
11.75	10" ANSI125FF	37.17	7.38	29.29	23.50	11.75	7.75	12.25	8" ANSI125FF	.81	.69 x .94
11.75	8" ANSI125FF	32.17	7.38	24.29	23.50	11.75	7.75	12.25	8" ANSI125FF	.81	.69 x .94
13.75	14" ANSI125FF	48.00	10.94	N/A	27.50	13.75	8.50	18.00	12" ANSI125FF	.88	.88 x 1.75
13.75	14" ANSI125FF	48.00	10.63	N/A	27.50	13.75	8.50	18.00	12" ANSI125FF	.88	.88 x 1.75
13.75	14" ANSI125FF	44.00	10.63	N/A	27.50	13.75	8.50	20.00	12" ANSI125FF	.88	.88 x 1.75
13.75	14" ANSI125FF	40.00	10.63	N/A	27.50	13.75	8.50	18.00	12" ANSI125FF	.88	.88 x 1.75

*P & R are slotted.

The leader in every market we serve
by continuously improving all business processes
with a focus on innovation and velocity

Gardner

Denver[®]

Gardner Denver, Inc.

1800 Gardner Expressway
Quincy, IL 62305

www.gardnerdenver.com



©2017 Gardner Denver, Inc. Printed in U.S.A.
PD-CB-HE-RETROFIT 6th Ed. 7/23

