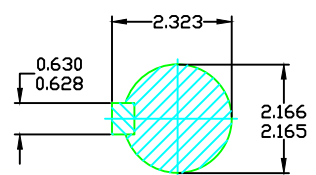
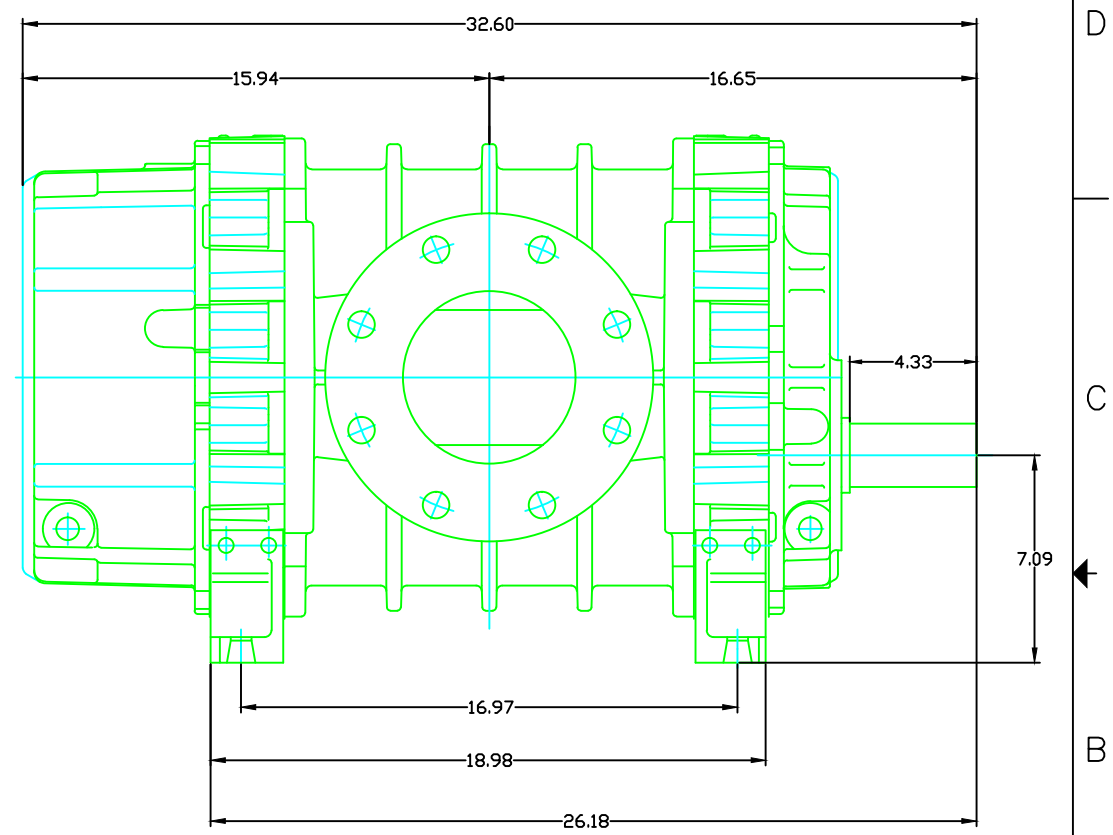
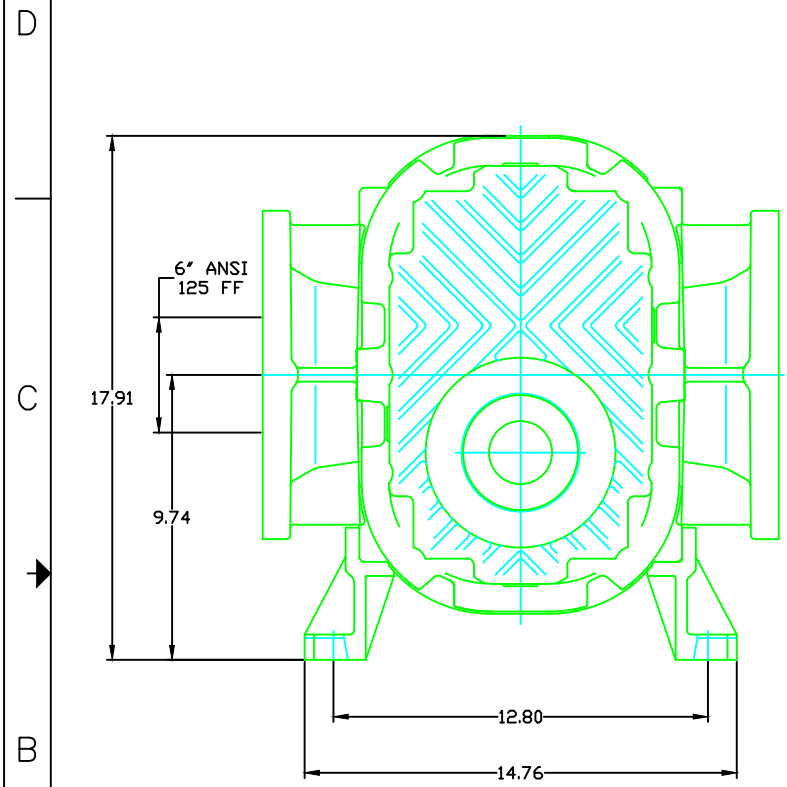


REVISIONS				
REV	DESCRIPTION	DATE	DRAWN	CK'D
A	AS PER ECN NO 1085111	07/11/14	L&T	MWS



TOTAL WEIGHT 551 lbs

<p>FINISH OF CHAMFERS &amp; FILLETS TO CONFORM TO ROUGHEST ADJACENT AREA. SURFACE ROUGHNESS MAX. PER ASME B46.1 SPEC. FULL THD DEPTHS ARE MINIMUM.</p>	<p>CONFIDENTIAL - THE INFORMATION CONTAINED IN THIS DOCUMENT IS THE PROPERTY OF GARDNER DENVER, INC. IT IS NOT FOR PUBLIC DISCLOSURE. POSSESSION OF THE INFORMATION DOES NOT CONVEY ANY RIGHT TO LOAN, SELL OR DISCLOSE THE INFORMATION. UNAUTHORIZED REPRODUCTION OR USE OF THE INFORMATION IS PROHIBITED. THIS DOCUMENT IS TO BE RETURNED TO GARDNER DENVER, INC. UPON THE COMPLETION OF THE PURPOSE FOR WHICH IT IS LOANED OR UPON REQUEST.</p>		
<p>UNLESS OTHERWISE SPECIFIED DIMENSIONS ARE IN INCHES  TOL. ON DECIMALS: .X = ±.05  TOL. ON DECIMALS: .XX = ±.02  TOL. ON DECIMALS: .XXX AS SPECIFIED  TOL. ON ANGLES: ± 0°-30'</p>	<p>DIMENSIONING AND TOLERANCING PER ASME Y14.5-2009  THREADS PER ASME B1.1 GAGING SYSTEM 21 U.O.S., ANSI B1.20.1 &amp; B1.20.3</p>		
<p>FIRST ANGLE PROJECTION</p>	<p><b>Gardner Denver</b></p> <p>Gardner Denver Inc.  Quincy, IL.</p>	<p>HEAT TREATMENT</p> <p>ENG. REF:  281537-0000</p>	<p>TITLE</p> <p>OUTLINE-BARE UNIT  RBS 85 VERTICAL</p>
	<p>DWN BY L&amp;T 07/11/14</p> <p>CK'D BY MWS 07/11/14</p>	<p>SIZE C</p> <p>ENGR. APPROVAL -</p> <p>DWG NO. 321RBS800</p> <p>SCALE 1:1</p>	<p>REV A</p> <p>SHEET 1 OF 1</p>