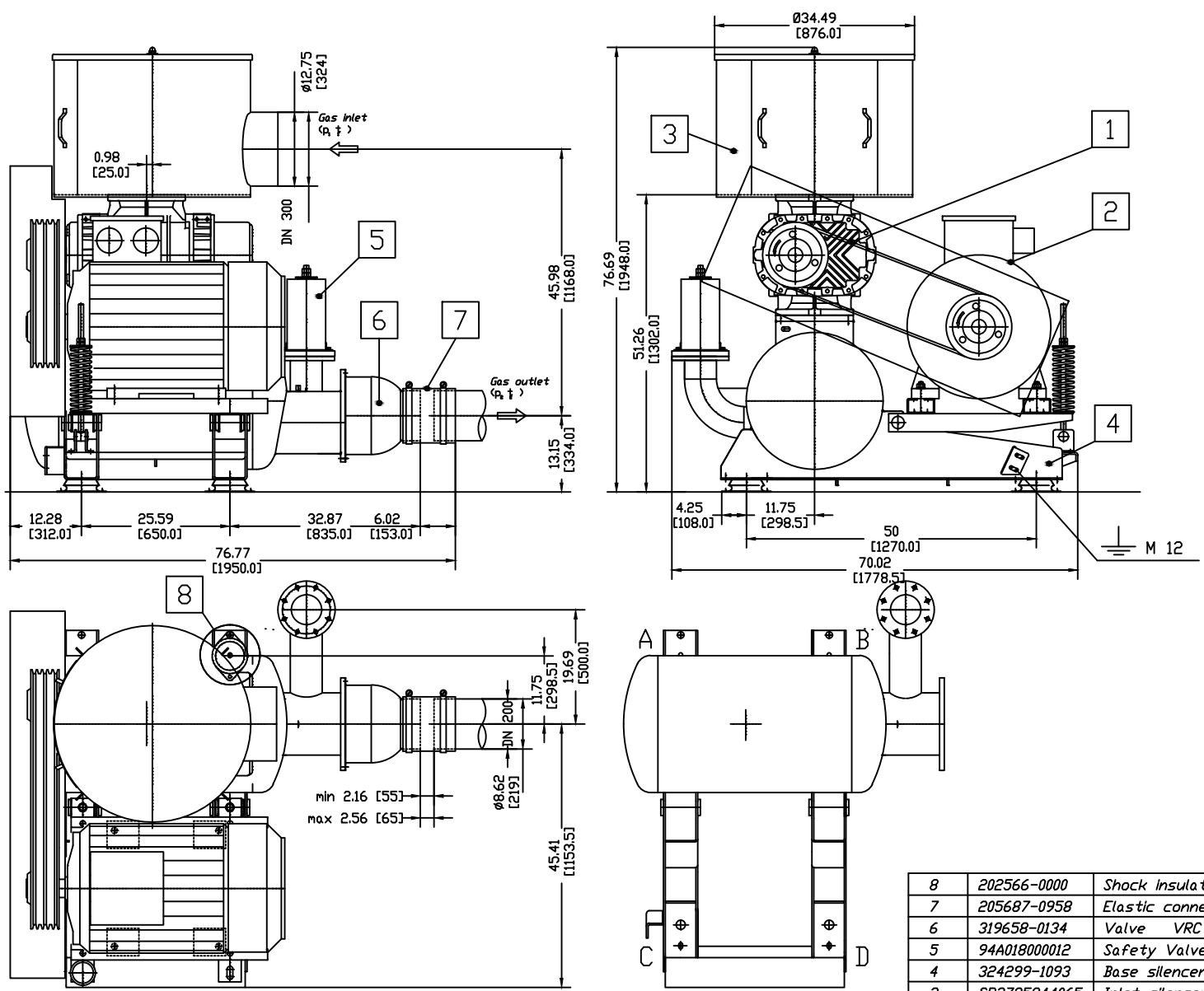


4 | 3 | 2 | 1

| REVISIONS |                             |            |       |      |
|-----------|-----------------------------|------------|-------|------|
| REV       | DESCRIPTION                 | DATE       | DRAWN | CK'D |
| A         | RELEASED AS PER ECN 1091665 | 04/13/2015 | L&T   | TAM  |



| Pos. | Drawing No.  | denomination                     | Quantity | Model No. | Material |
|------|--------------|----------------------------------|----------|-----------|----------|
| 8    | 202566-0000  | Shock insulating feet RA 800 EMB | 4        |           |          |
| 7    | 205687-0958  | Elastic connector ER 200         | 1        |           |          |
| 6    | 319658-0134  | Valve VRC 200                    | 1        |           |          |
| 5    | 94A018000012 | Safety Valve RVP 125             | 1        |           |          |
| 4    | 324299-1093  | Base silencer BASCULA 200/4      | 1        |           |          |
| 3    | SP2795944065 | Inlet silencer SPF 200-4         | 1        |           |          |
| 2    | .            | Electric motor                   | 1        |           |          |
| 1    | .            | BLDWER RBS 105/F                 | 1        |           |          |

FINISH OF CHAMFERS & FILLETS TO CONFORM TO ROUGHEST ADJACENT AREA.  
SURFACE ROUGHNESS MAX. PER ASME B46.1 SPEC. FULL THD DEPTHS ARE MINIMUM.

UNLESS OTHERWISE SPECIFIED  
DIMENSIONS ARE IN INCHES  
TOL. ON DECIMALS: .X = ±.05  
TOL. ON DECIMALS: .XX = ±.02  
TOL. ON DECIMALS: .XXX AS SPECIFIED  
TOL. ON ANGLES: ± 0°-30'

CONFIDENTIAL - THE INFORMATION CONTAINED IN THIS DOCUMENT IS THE PROPERTY OF GARDNER DENVER, INC. IT IS NOT FOR PUBLIC DISCLOSURE. POSSESSION OF THE INFORMATION DOES NOT CONVEY ANY RIGHT TO LOAN, SELL OR DISCLOSE THE INFORMATION. UNAUTHORIZED REPRODUCTION OR USE OF THE INFORMATION IS PROHIBITED. THIS DOCUMENT IS TO BE RETURNED TO GARDNER DENVER, INC. UPON THE COMPLETION OF THE PURPOSE FOR WHICH IT IS LOANED OR UPON REQUEST.

DIMENSIONING AND TOLERANCING PER ASME Y14.5-2009  
THREADS PER ASME B1.1 GAGING SYSTEM 21 U.O.S., ANSI B1.20.1 & B1.20.3

**Gardner Denver**  
HEAT TREATMENT  
ENG. REF: 279751-0000

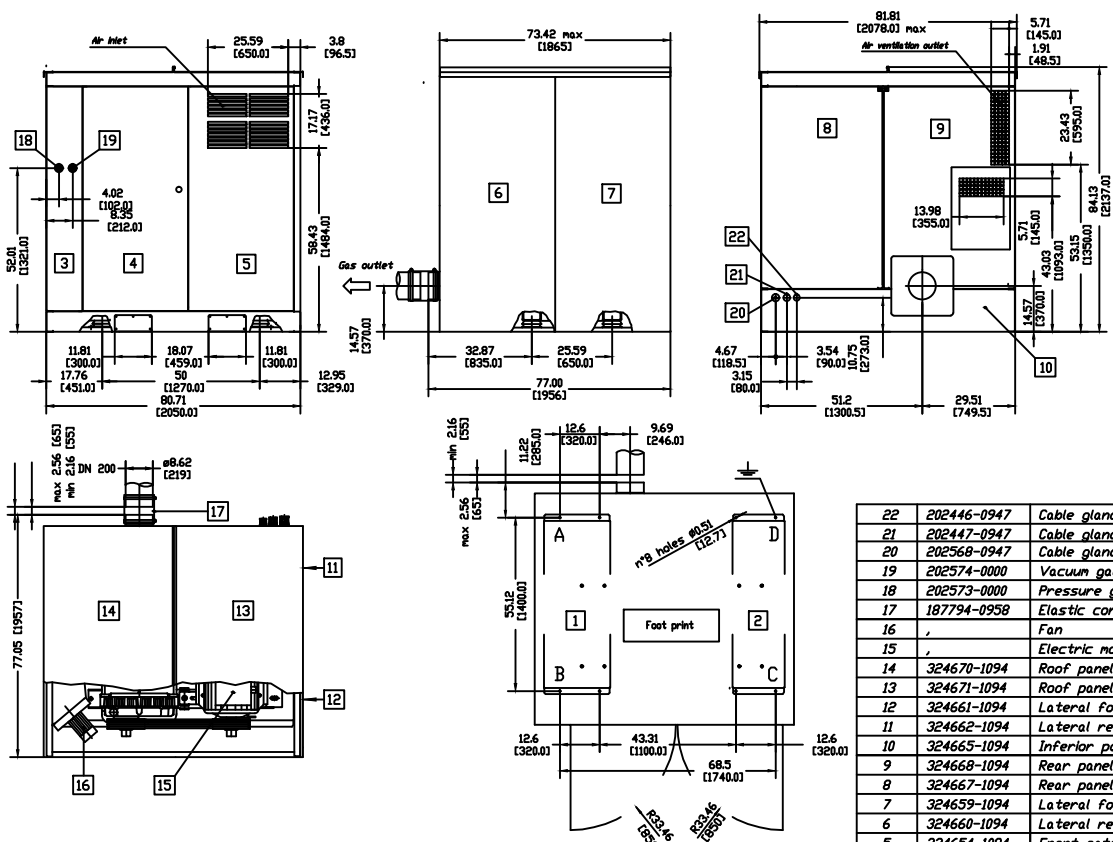
TITLE EL 105/4P  
IQ-RB  
Gardner Denver Inc.  
Quincy, IL.

FIRST ANGLE PROJECTION

|                        |           |                    |                   |       |
|------------------------|-----------|--------------------|-------------------|-------|
| DWN BY L&T 04/13/2015  | SIZE C    | ENGR. APPROVAL TAM | DWG NO. 340RBX800 | REV A |
| CK'D BY TAM 05/12/2015 | SCALE 1:1 | SHEET 1 of 1       |                   |       |

4 | 3 | 2 | 1

| REVISIONS |                             |            |       |      |
|-----------|-----------------------------|------------|-------|------|
| REV       | DESCRIPTION                 | DATE       | DRAWN | CK'D |
| A         | RELEASED AS PER ECN 1091665 | 04/13/2015 | L&T   | TAM  |



| 22   | 202446-0947 | Cable gland PG 36 GW52008 | 1        |           |          |
|------|-------------|---------------------------|----------|-----------|----------|
| 21   | 202447-0947 | Cable gland PG 42 GW52009 | 1        |           |          |
| 20   | 202568-0947 | Cable gland PG 48 GW52010 | 1        |           |          |
| 19   | 202574-0000 | Vacuum gauge D63          | 1        |           |          |
| 18   | 202573-0000 | Pressure gauge D63        | 1        |           |          |
| 17   | 187794-0958 | Elastic connector ER 200  | 1        |           |          |
| 16   | ,           | Fan                       | 1        |           |          |
| 15   | ,           | Electric motor            | 1        |           |          |
| 14   | 324670-1094 | Roof panel sx             | 1        |           |          |
| 13   | 324671-1094 | Roof panel dx             | 1        |           |          |
| 12   | 324661-1094 | Lateral fore panel dx     | 1        |           |          |
| 11   | 324662-1094 | Lateral rear panel dx     | 1        |           |          |
| 10   | 324665-1094 | Inferior panel dx         | 1        |           |          |
| 9    | 324668-1094 | Rear panel dx             | 1        |           |          |
| 8    | 324667-1094 | Rear panel sx             | 1        |           |          |
| 7    | 324659-1094 | Lateral fore panel sx     | 1        |           |          |
| 6    | 324660-1094 | Lateral rear panel sx     | 1        |           |          |
| 5    | 324654-1094 | Front gate dx             | 1        |           |          |
| 4    | 324653-1094 | Front gate sx             | 1        |           |          |
| 3    | ,           | Strument panel            | 1        |           |          |
| 2    | 324652-0134 | Base Plate dx             | 1        |           |          |
| 1    | 324651-0134 | Base Plate sx             | 1        |           |          |
| Pos. | Drawing No. | denomination              | Quantity | Model No. | Material |

FINISH OF CHAMFERS & FILLETS TO CONFORM TO ROUGHEST ADJACENT AREA.  
SURFACE ROUGHNESS MAX. PER ASME B46.1 SPEC. FULL THD DEPTHS ARE MINIMUM.

CONFIDENTIAL - THE INFORMATION CONTAINED IN THIS DOCUMENT IS THE PROPERTY OF GARDNER DENVER, INC. IT IS NOT FOR PUBLIC DISCLOSURE. POSSESSION OF THE INFORMATION DOES NOT CONVEY ANY RIGHT TO LOAN, SELL OR DISCLOSE THE INFORMATION. UNAUTHORIZED REPRODUCTION OR USE OF THE INFORMATION IS PROHIBITED. THIS DOCUMENT IS TO BE RETURNED TO GARDNER DENVER, INC. UPON THE COMPLETION OF THE PURPOSE FOR WHICH IT IS LOANED OR UPON REQUEST.

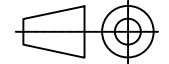
UNLESS OTHERWISE SPECIFIED DIMENSIONS ARE IN INCHES  
TOL. ON DECIMALS: .X = ±.05  
TOL. ON DECIMALS: .XX = ±.02  
TOL. ON DECIMALS: .XXX AS SPECIFIED  
TOL. ON ANGLES: ± 0°-30'

DIMENSIONING AND TOLERANCING PER ASME Y14.5-2009  
THREADS PER ASME B1.1 GAGING SYSTEM 21 U.O.S., ANSI B1.20.1 & B1.20.3

**Gardner Denver**  
HEAT TREATMENT ENG. REF:  
279716-0000

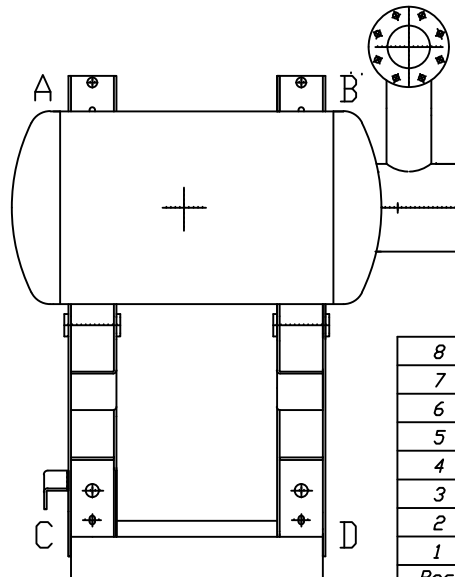
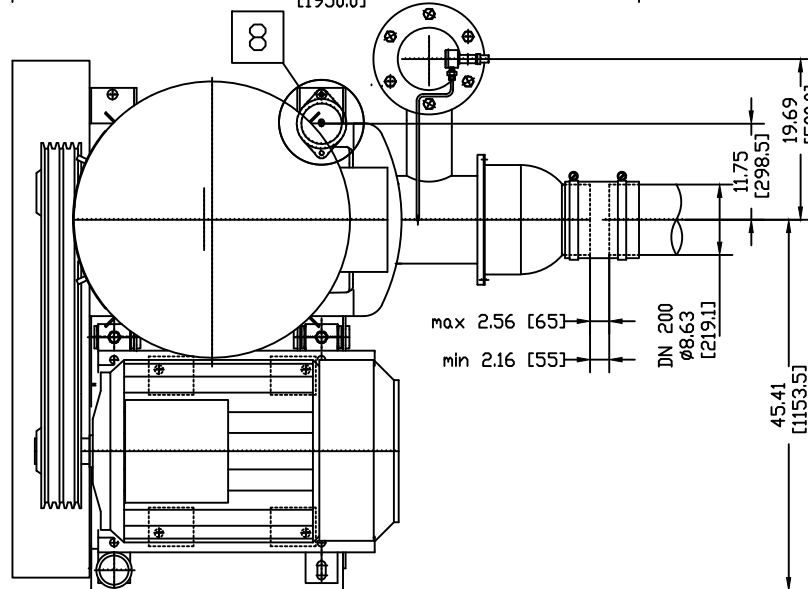
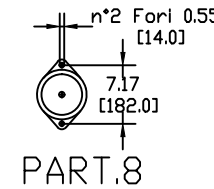
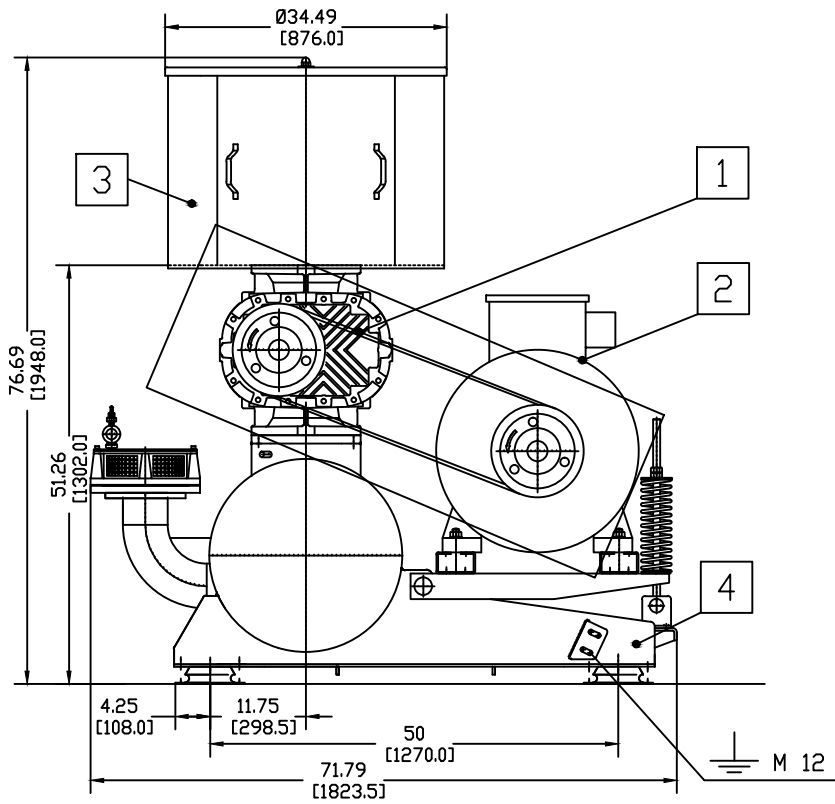
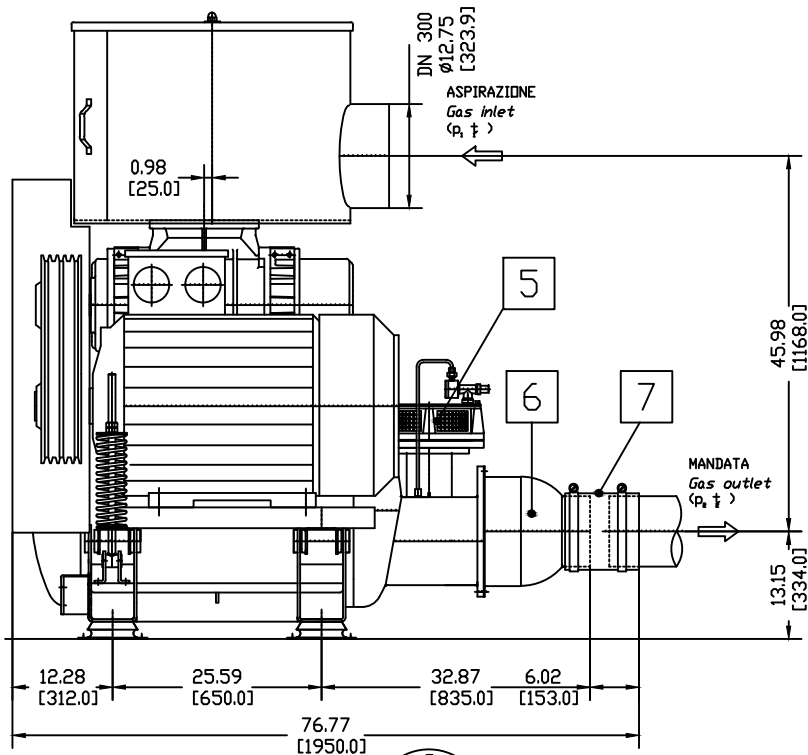
TITLE ES 105/4P  
IQ-RB

FIRST ANGLE PROJECTION



|         |                |                |     |         |           |     |   |
|---------|----------------|----------------|-----|---------|-----------|-----|---|
| DWN BY  | L&T 04/13/2015 | ENGR. APPROVAL | TAM | DWG NO. | 342RBX800 | REV | A |
| CK'D BY | TAM 05/13/2015 | SCALE          | 1:1 | SHEET   | 1 of 1    |     |   |

| REVISIONS |                             |            |       |      |
|-----------|-----------------------------|------------|-------|------|
| REV       | DESCRIPTION                 | DATE       | DRAWN | CK'D |
| A         | RELEASED AS PER ECN 1091665 | 04/13/2015 | L&T   | TAM  |



| Pos. | Drawing No.  | denomination                     | Quantity | Model No. | Material |
|------|--------------|----------------------------------|----------|-----------|----------|
| 8    | 202566-0000  | Shock insulating feet RA 800 EMB | 4        |           |          |
| 7    | 205687-0958  | Elastic connector ER 200         | 1        |           |          |
| 6    | 319658-0134  | Valve VRC 200                    | 1        |           |          |
| 5    | 94V039900002 | Safety valve VSM 200/P           | 1        |           |          |
| 4    | 324299-1093  | Base silencer BASCULA 200/4      | 1        |           |          |
| 3    | SP2795944065 | Inlet silencer SPF 200-4         | 1        |           |          |
| 2    | .            | Electric motor                   | 1        |           |          |
| 1    | .            | BLOWER RBS 105/F                 | 1        |           |          |

FINISH OF CHAMFERS & FILLETS TO CONFORM TO ROUGHEST ADJACENT AREA.  
SURFACE ROUGHNESS MAX. PER ASME B46.1 SPEC.  
FULL THD DEPTHS ARE MINIMUM.

CONFIDENTIAL - THE INFORMATION CONTAINED IN THIS DOCUMENT IS THE PROPERTY OF GARDNER DENVER, INC. IT IS NOT FOR PUBLIC DISCLOSURE. POSSESSION OF THE INFORMATION DOES NOT CONVEY ANY RIGHT TO LOAN, SELL OR DISCLOSE THE INFORMATION. UNAUTHORIZED REPRODUCTION OR USE OF THE INFORMATION IS PROHIBITED. THIS DOCUMENT IS TO BE RETURNED TO GARDNER DENVER, INC. UPON THE COMPLETION OF THE PURPOSE FOR WHICH IT IS LOANED OR UPON REQUEST.

UNLESS OTHERWISE SPECIFIED  
DIMENSIONS ARE IN INCHES  
TOL. ON DECIMALS: .X = ±.05  
TOL. ON DECIMALS: .XX = ±.02  
TOL. ON DECIMALS: .XXX AS SPECIFIED  
TOL. ON ANGLES: ± 0°-30'

DIMENSIONING AND TOLERANCING PER ASME Y14.5-2009  
THREADS PER ASME B1.1 GAGING SYSTEM 21 U.O.S., ANSI B1.20.1 & B1.20.3

|                                    |                                       |                          |
|------------------------------------|---------------------------------------|--------------------------|
| <b>Gardner Denver</b>              | HEAT TREATMENT                        | ENG. REF:<br>279893-0000 |
|                                    | TITLE<br>EL 105/4P - VSM 200<br>IQ-RB |                          |
| Gardner Denver Inc.<br>Quincy, IL. | DWN BY<br>L&T 04/13/2015              | SCALE<br>1:1             |
| CK'D BY<br>TAM 05/12/2015          | ENGR. APPROVAL<br>TAM                 | DWG NO.<br>341RBX800     |
|                                    |                                       | REV<br>A                 |
|                                    |                                       | SHEET 1 of 1             |

