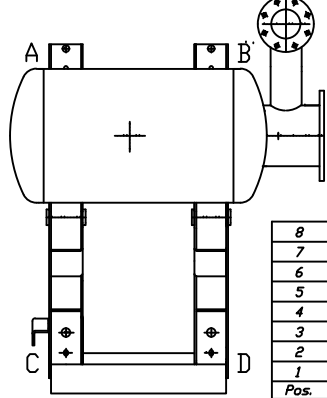
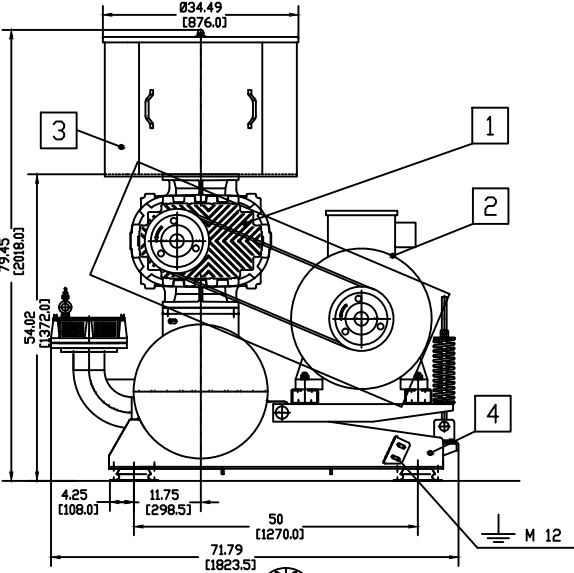
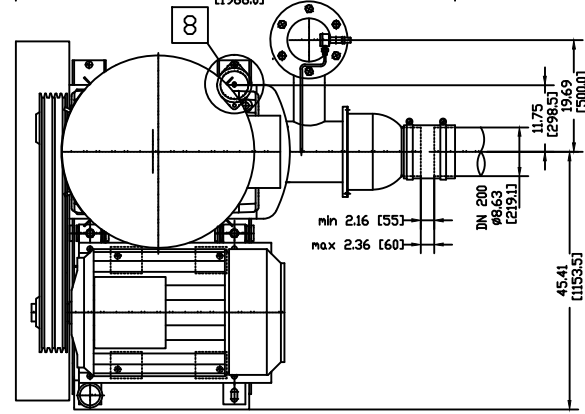
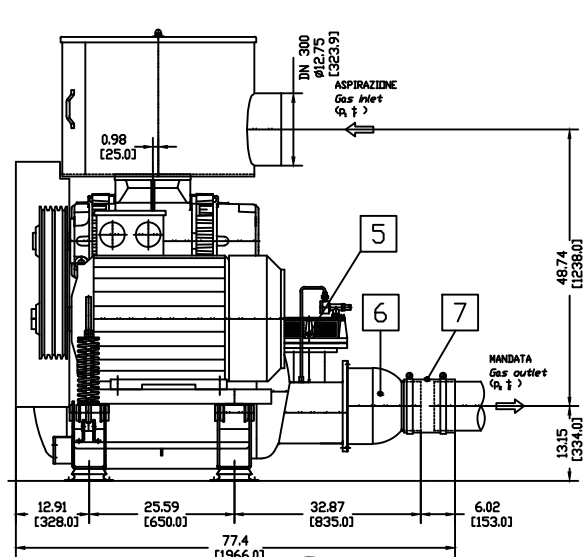
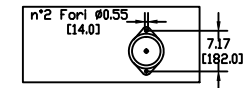


REVISIONS				
REV	DESCRIPTION	DATE	DRAWN	CK'D
A	RELEASED AS PER ECN 1091665	04/13/2015	L&T	TAM



PART.8



Pos.	Drawing No.	denomination	Quantity	Model No.	Material
8	202566-0000	Shock insulating feet RA 800 ENB	4		
7	205687-0958	Elastic connector ER 200	1		
6	319658-0134	Valve VRC 200	1		
5	94V039900002	Safety valve VSM 200/P	1		
4	324299-1093	Base silencer-BASCULA 200/4	1		
3	SP2795944065	Inlet silencer SPF 200-4	1		
2	.	Electric motor	1		
1	.	BLDWER RBS 115/F	1		

FINISH OF CHAMFERS & FILLETS TO CONFORM TO ROUGHEST ADJACENT AREA. SURFACE ROUGHNESS MAX. PER ASME B46.1 SPEC. FULL THD DEPTHS ARE MINIMUM.

CONFIDENTIAL - THE INFORMATION CONTAINED IN THIS DOCUMENT IS THE PROPERTY OF GARDNER DENVER, INC. IT IS NOT FOR PUBLIC DISCLOSURE. POSSESSION OF THE INFORMATION DOES NOT CONVEY ANY RIGHT TO LOAN, SELL OR DISCLOSE THE INFORMATION. UNAUTHORIZED REPRODUCTION OR USE OF THE INFORMATION IS PROHIBITED. THIS DOCUMENT IS TO BE RETURNED TO GARDNER DENVER, INC. UPON THE COMPLETION OF THE PURPOSE FOR WHICH IT IS LOANED OR UPON REQUEST.

UNLESS OTHERWISE SPECIFIED DIMENSIONS ARE IN INCHES
 TOL. ON DECIMALS: .X = ±.05
 TOL. ON DECIMALS: .XX = ±.02
 TOL. ON DECIMALS: .XXX AS SPECIFIED
 TOL. ON ANGLES: ± 0°-30'

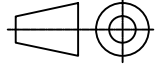
DIMENSIONING AND TOLERANCING PER ASME Y14.5-2009
 THREADS PER ASME B1.1 GAGING SYSTEM 21 U.O.S., ANSI B1.20.1 & B1.20.3

Gardner Denver HEAT TREATMENT ENG. REF: 279895-0000

TITLE EL 115 4P - VSM 200 IQ-RB

Gardner Denver Inc. Quincy, IL. DWN BY L&T 04/13/2015 ENGR. APPROVAL TAM ENGR. APPROVAL TAM DWG NO. 34-7RBX800 REV A

FIRST ANGLE PROJECTION



CK'D BY TAM 05/13/2015 SCALE 1:1 SHEET 1 of 1