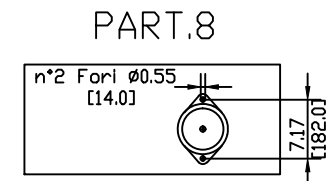
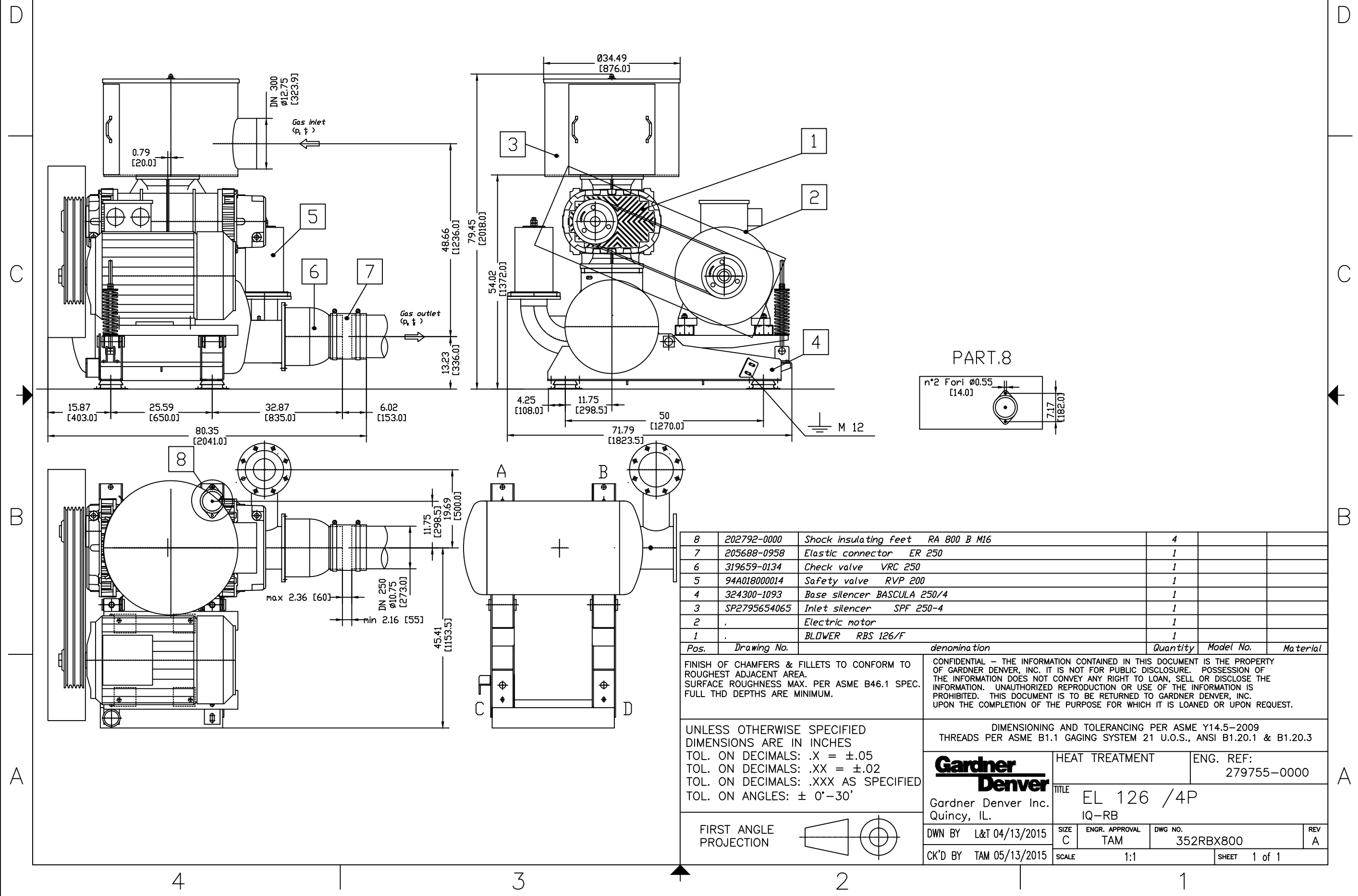


REVISIONS				
REV	DESCRIPTION	DATE	DRAWN	CK'D
A	RELEASED AS PER ECN 1091665	04/13/2015	L&T	TAM



Pos.	Drawing No.	denomination	Quantity	Model No.	Material
8	202792-0000	Shock insulating feet RA 800 B M16	4		
7	205688-0958	Elastic connector ER 250	1		
6	319659-0134	Check valve VRC 250	1		
5	94A018000014	Safety valve RVP 200	1		
4	324300-1093	Base silencer BASCULA 250/4	1		
3	SP2795654065	Inlet silencer SPF 250-4	1		
2	.	Electric motor	1		
1	.	BLOWER RBS 126/F	1		

FINISH OF CHAMFERS & FILLETS TO CONFORM TO ROUGHEST ADJACENT AREA.  
 SURFACE ROUGHNESS MAX. PER ASME B46.1 SPEC.  
 FULL THD DEPTHS ARE MINIMUM.

CONFIDENTIAL - THE INFORMATION CONTAINED IN THIS DOCUMENT IS THE PROPERTY OF GARDNER DENVER, INC. IT IS NOT FOR PUBLIC DISCLOSURE. POSSESSION OF THE INFORMATION DOES NOT CONVEY ANY RIGHT TO LOAN, SELL OR DISCLOSE THE INFORMATION. UNAUTHORIZED REPRODUCTION OR USE OF THE INFORMATION IS PROHIBITED. THIS DOCUMENT IS TO BE RETURNED TO GARDNER DENVER, INC. UPON THE COMPLETION OF THE PURPOSE FOR WHICH IT IS LOANED OR UPON REQUEST.

UNLESS OTHERWISE SPECIFIED  
 DIMENSIONS ARE IN INCHES  
 TOL. ON DECIMALS: .X =  $\pm$ .05  
 TOL. ON DECIMALS: .XX =  $\pm$ .02  
 TOL. ON DECIMALS: .XXX AS SPECIFIED  
 TOL. ON ANGLES:  $\pm$  0°-30'

DIMENSIONING AND TOLERANCING PER ASME Y14.5-2009  
 THREADS PER ASME B1.1 GAGING SYSTEM 21 U.O.S., ANSI B1.20.1 & B1.20.3

**Gardner Denver**  
 Gardner Denver Inc.  
 Quincy, IL.

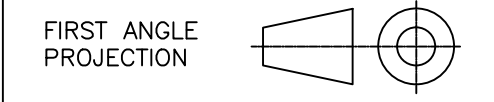
HEAT TREATMENT  
 ENG. REF: 279755-0000

TITLE EL 126 /4P  
 IQ-RB

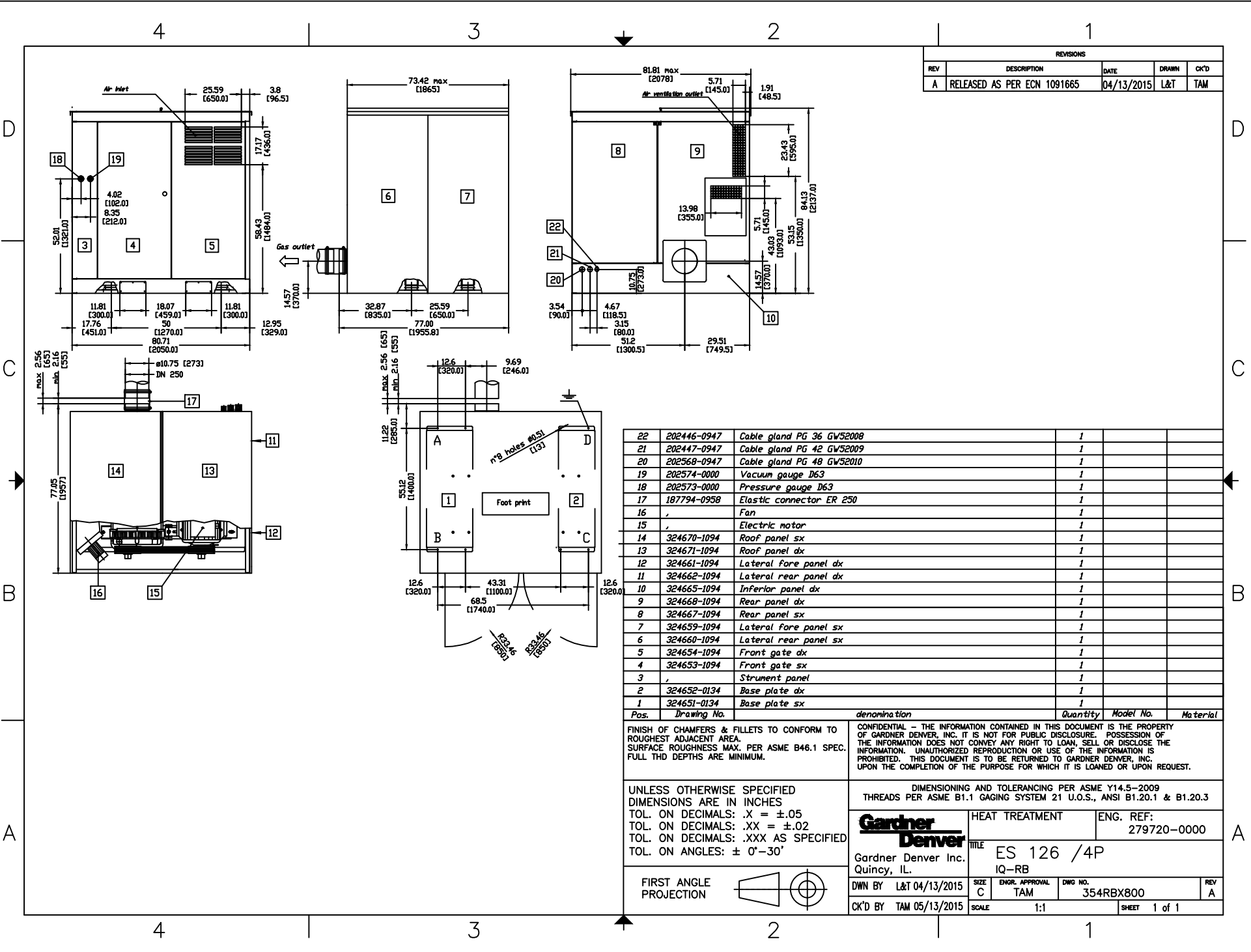
DWN BY L&T 04/13/2015  
 CK'D BY TAM 05/13/2015

SIZE C  
 ENGR. APPROVAL TAM  
 DWG NO. 352RBX800  
 SCALE 1:1

REV A  
 SHEET 1 of 1



REVISIONS				
REV	DESCRIPTION	DATE	DRAWN	CK'D
A	RELEASED AS PER ECN 1091665	04/13/2015	L&T	TAM



Pos.	Drawing No.	denomination	Quantity	Model No.	Material
22	202446-0947	Cable gland PG 36 GW52008	1		
21	202447-0947	Cable gland PG 42 GW52009	1		
20	202568-0947	Cable gland PG 48 GW52010	1		
19	202574-0000	Vacuum gauge D63	1		
18	202573-0000	Pressure gauge D63	1		
17	187794-0958	Elastic connector ER 250	1		
16	,	Fan	1		
15	,	Electric motor	1		
14	324670-1094	Roof panel sx	1		
13	324671-1094	Roof panel dx	1		
12	324661-1094	Lateral fore panel dx	1		
11	324662-1094	Lateral rear panel dx	1		
10	324665-1094	Inferior panel dx	1		
9	324668-1094	Rear panel dx	1		
8	324667-1094	Rear panel sx	1		
7	324659-1094	Lateral fore panel sx	1		
6	324660-1094	Lateral rear panel sx	1		
5	324654-1094	Front gate dx	1		
4	324653-1094	Front gate sx	1		
3	,	Strument panel	1		
2	324652-0134	Base plate dx	1		
1	324651-0134	Base plate sx	1		

FINISH OF CHAMFERS & FILLETS TO CONFORM TO ROUGHEST ADJACENT AREA. SURFACE ROUGHNESS MAX. PER ASME B46.1 SPEC. FULL THD DEPTHS ARE MINIMUM.

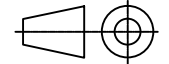
CONFIDENTIAL - THE INFORMATION CONTAINED IN THIS DOCUMENT IS THE PROPERTY OF GARDNER DENVER, INC. IT IS NOT FOR PUBLIC DISCLOSURE. POSSESSION OF THE INFORMATION DOES NOT CONVEY ANY RIGHT TO LOAN, SELL OR DISCLOSE THE INFORMATION. UNAUTHORIZED REPRODUCTION OR USE OF THE INFORMATION IS PROHIBITED. THIS DOCUMENT IS TO BE RETURNED TO GARDNER DENVER, INC. UPON THE COMPLETION OF THE PURPOSE FOR WHICH IT IS LOANED OR UPON REQUEST.

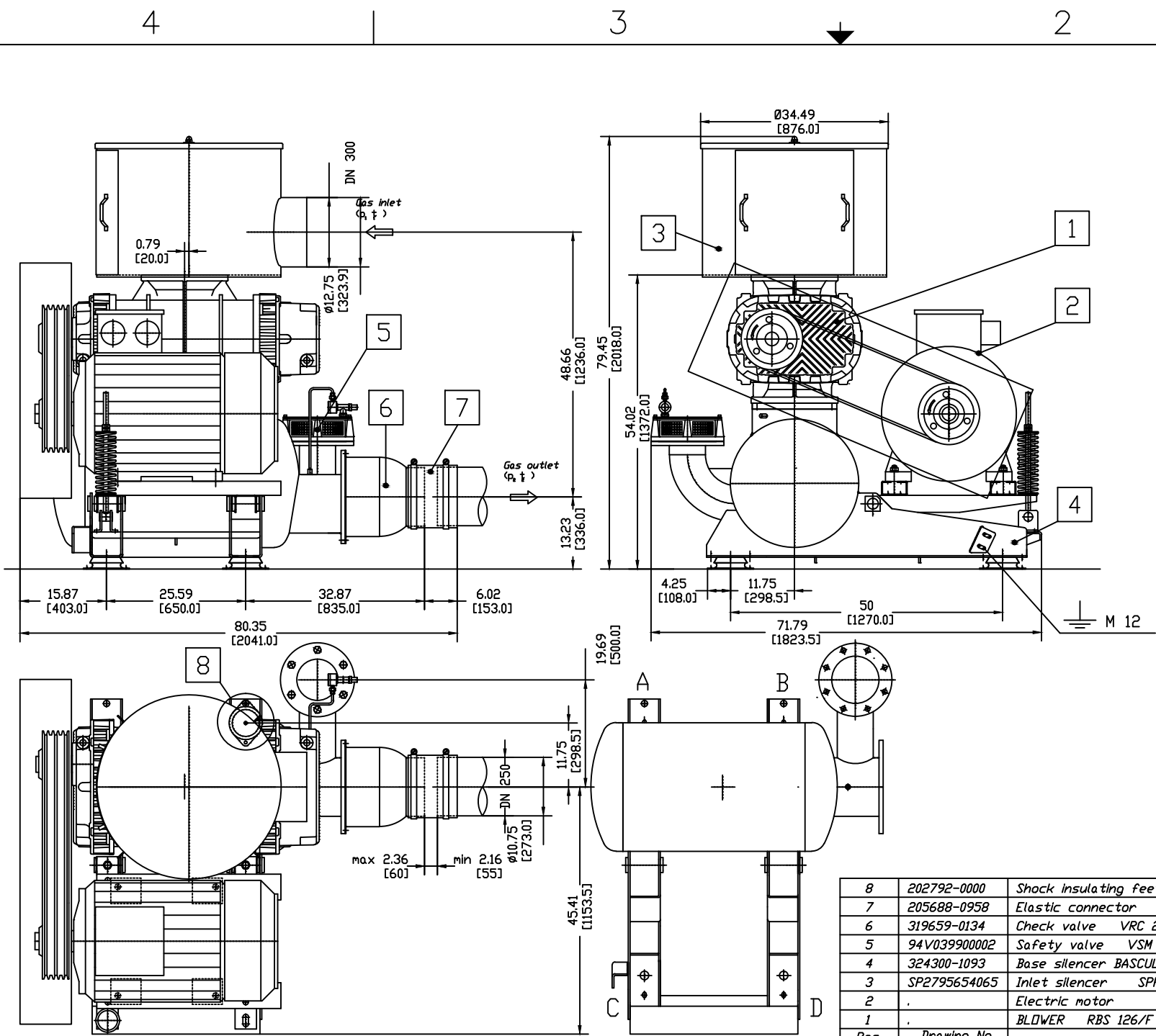
UNLESS OTHERWISE SPECIFIED DIMENSIONS ARE IN INCHES  
 TOL. ON DECIMALS: .X = ±.05  
 TOL. ON DECIMALS: .XX = ±.02  
 TOL. ON DECIMALS: .XXX AS SPECIFIED  
 TOL. ON ANGLES: ± 0°-30'

DIMENSIONING AND TOLERANCING PER ASME Y14.5-2009  
 THREADS PER ASME B1.1 GAGING SYSTEM 21 U.O.S., ANSI B1.20.1 & B1.20.3

**Gardner Denver**  
 HEAT TREATMENT ENG. REF:  
 Quincy, IL. 279720-0000

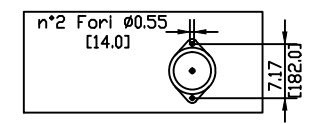
TITLE ES 126 /4P  
 IQ-RB  
 DWN BY L&T 04/13/2015 ENGR. APPROVAL DWG NO. REV  
 CK'D BY TAM 05/13/2015 TAM 354RBX800 A  
 SCALE 1:1 SHEET 1 of 1





REVISIONS				
REV	DESCRIPTION	DATE	DRAWN	CK'D
A	RELEASED AS PER ECN 1091665	04/13/2015	L&T	TAM

PART.8



Pos.	Drawing No.	denomination	Quantity	Model No.	Material
8	202792-0000	Shock insulating feet RA 800 B M16	4		
7	205688-0958	Elastic connector ER 250	1		
6	319659-0134	Check valve VRC 250	1		
5	94V039900002	Safety valve VSM 200/P	1		
4	324300-1093	Base silencer BASCULA 250/4	1		
3	SP2795654065	Inlet silencer SPF 250-4	1		
2	.	Electric motor	1		
1	.	BLOWER RBS 126/F	1		

FINISH OF CHAMFERS & FILLETS TO CONFORM TO ROUGHEST ADJACENT AREA.  
SURFACE ROUGHNESS MAX. PER ASME B46.1 SPEC.  
FULL THD DEPTHS ARE MINIMUM.

CONFIDENTIAL - THE INFORMATION CONTAINED IN THIS DOCUMENT IS THE PROPERTY OF GARDNER DENVER, INC. IT IS NOT FOR PUBLIC DISCLOSURE. POSSESSION OF THE INFORMATION DOES NOT CONVEY ANY RIGHT TO LOAN, SELL OR DISCLOSE THE INFORMATION. UNAUTHORIZED REPRODUCTION OR USE OF THE INFORMATION IS PROHIBITED. THIS DOCUMENT IS TO BE RETURNED TO GARDNER DENVER, INC. UPON THE COMPLETION OF THE PURPOSE FOR WHICH IT IS LOANED OR UPON REQUEST.

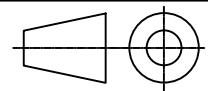
UNLESS OTHERWISE SPECIFIED  
DIMENSIONS ARE IN INCHES  
TOL. ON DECIMALS: .X = ±.05  
TOL. ON DECIMALS: .XX = ±.02  
TOL. ON DECIMALS: .XXX AS SPECIFIED  
TOL. ON ANGLES: ± 0°-30'

DIMENSIONING AND TOLERANCING PER ASME Y14.5-2009  
THREADS PER ASME B1.1 GAGING SYSTEM 21 U.O.S., ANSI B1.20.1 & B1.20.3

**Gardner Denver** HEAT TREATMENT ENG. REF:  
279897-0000

TITLE EL 126 4P - VSM 200  
IQ-RB  
Gardner Denver Inc.  
Quincy, IL.

FIRST ANGLE PROJECTION



DWN BY L&T 04/13/2015	SIZE C	ENGR. APPROVAL TAM	DWG NO. 353RBX800	REV A
-----------------------	--------	--------------------	-------------------	-------

CK'D BY TAM 05/13/2015 SCALE 1:1 SHEET 1 of 1