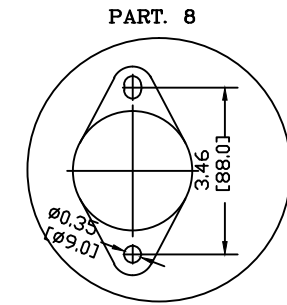
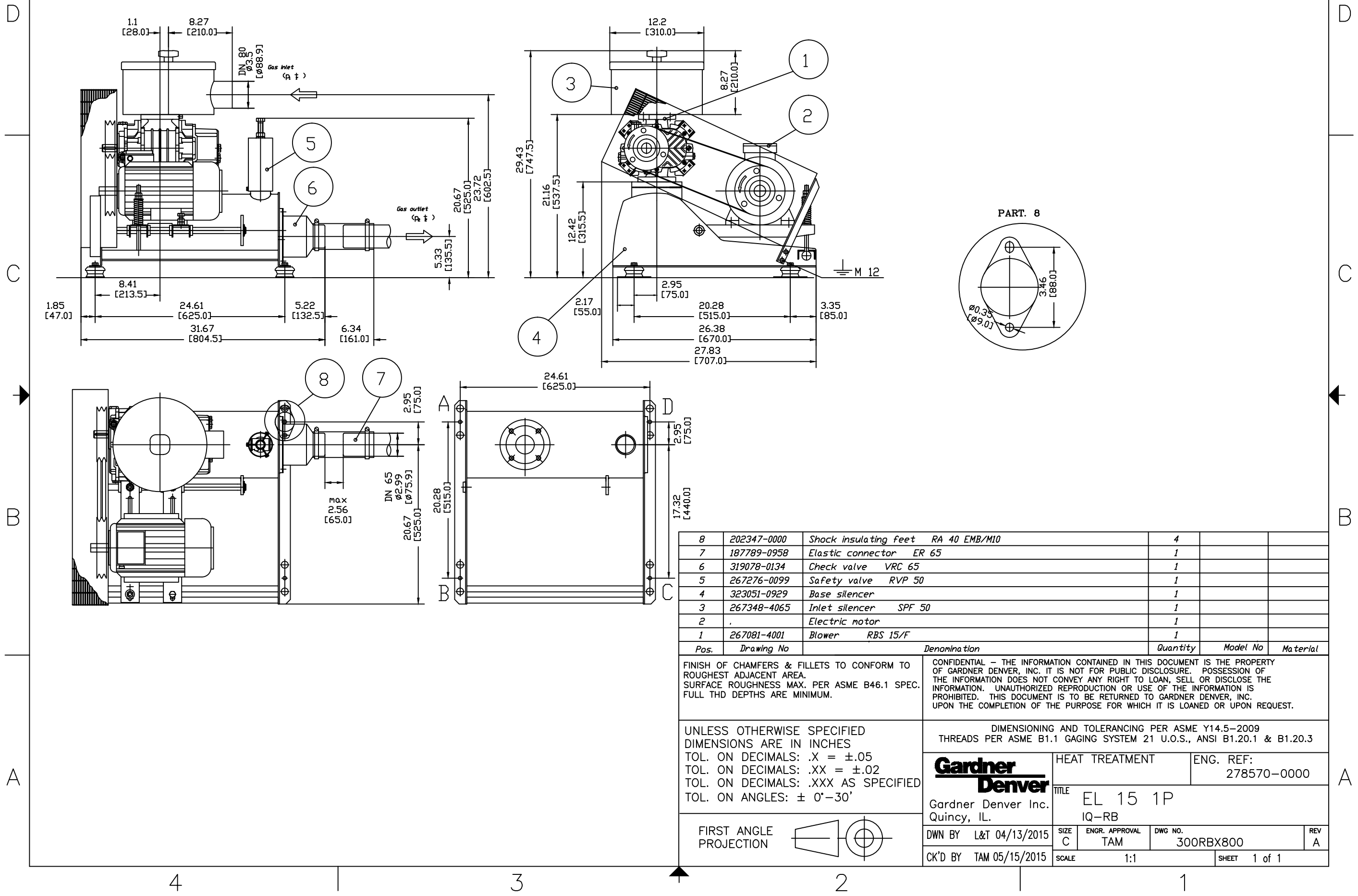


REVISIONS				
REV	DESCRIPTION	DATE	DRAWN	CK'D
A	RELEASED AS PER ECN 1091665	04/13/15	L&T	TAM



Pos.	Drawing No	Denomination	Quantity	Model No	Material
8	202347-0000	Shock insulating feet RA 40 EMB/M10	4		
7	187789-0958	Elastic connector ER 65	1		
6	319078-0134	Check valve VRC 65	1		
5	267276-0099	Safety valve RVP 50	1		
4	323051-0929	Base silencer	1		
3	267348-4065	Inlet silencer SPF 50	1		
2		Electric motor	1		
1	267081-4001	Blower RBS 15/F	1		

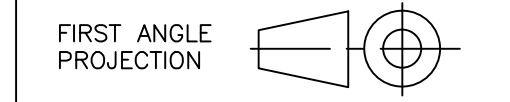
FINISH OF CHAMFERS & FILLETS TO CONFORM TO ROUGHEST ADJACENT AREA.
 SURFACE ROUGHNESS MAX. PER ASME B46.1 SPEC.
 FULL THD DEPTHS ARE MINIMUM.

CONFIDENTIAL - THE INFORMATION CONTAINED IN THIS DOCUMENT IS THE PROPERTY OF GARDNER DENVER, INC. IT IS NOT FOR PUBLIC DISCLOSURE. POSSESSION OF THE INFORMATION DOES NOT CONVEY ANY RIGHT TO LOAN, SELL OR DISCLOSE THE INFORMATION. UNAUTHORIZED REPRODUCTION OR USE OF THE INFORMATION IS PROHIBITED. THIS DOCUMENT IS TO BE RETURNED TO GARDNER DENVER, INC. UPON THE COMPLETION OF THE PURPOSE FOR WHICH IT IS LOANED OR UPON REQUEST.

UNLESS OTHERWISE SPECIFIED
 DIMENSIONS ARE IN INCHES
 TOL. ON DECIMALS: .X = ±.05
 TOL. ON DECIMALS: .XX = ±.02
 TOL. ON DECIMALS: .XXX AS SPECIFIED
 TOL. ON ANGLES: ± 0°-30'

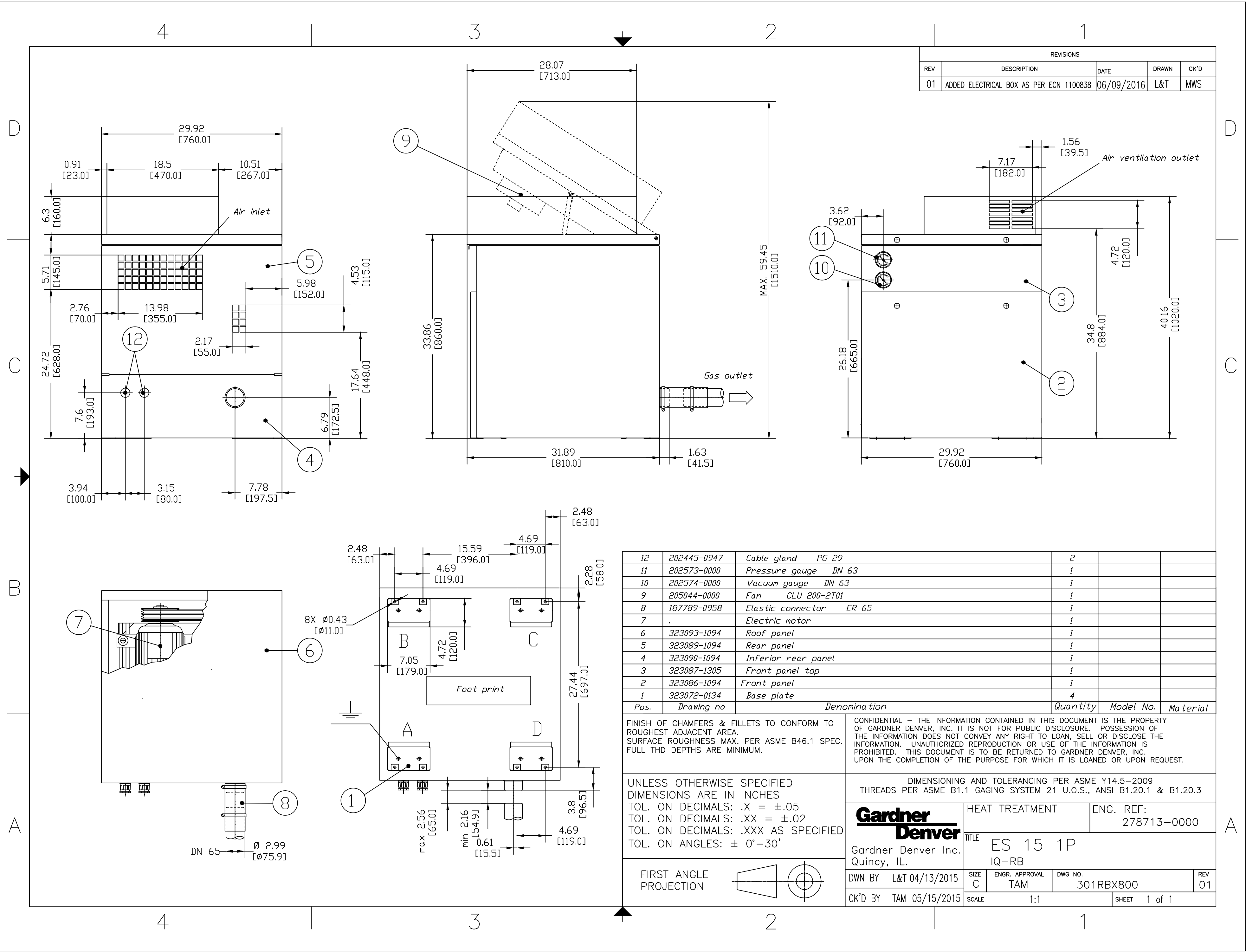
DIMENSIONING AND TOLERANCING PER ASME Y14.5-2009
 THREADS PER ASME B1.1 GAGING SYSTEM 21 U.O.S., ANSI B1.20.1 & B1.20.3

	HEAT TREATMENT	ENG. REF: 278570-0000
	TITLE EL 15 1P IQ-RB	
DWN BY L&T 04/13/2015	ENGR. APPROVAL TAM	DWG NO. 300RBX800
CK'D BY TAM 05/15/2015	SCALE 1:1	REV A



A

REVISIONS				
REV	DESCRIPTION	DATE	DRAWN	CK'D
01	ADDED ELECTRICAL BOX AS PER ECN 1100838	06/09/2016	L&T	MWS



Pos.	Drawing no	Denomination	Quantity	Model No.	Material
12	202445-0947	Cable gland PG 29	2		
11	202573-0000	Pressure gauge DN 63	1		
10	202574-0000	Vacuum gauge DN 63	1		
9	205044-0000	Fan CLU 200-2T01	1		
8	187789-0958	Elastic connector ER 65	1		
7		Electric motor	1		
6	323093-1094	Roof panel	1		
5	323089-1094	Rear panel	1		
4	323090-1094	Inferior rear panel	1		
3	323087-1305	Front panel top	1		
2	323086-1094	Front panel	1		
1	323072-0134	Base plate	4		

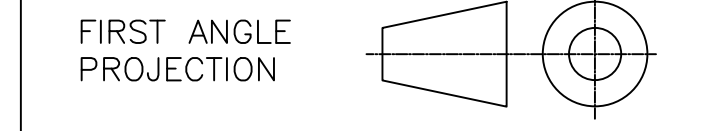
FINISH OF CHAMFERS & FILLETS TO CONFORM TO ROUGHEST ADJACENT AREA.
 SURFACE ROUGHNESS MAX. PER ASME B46.1 SPEC.
 FULL THD DEPTHS ARE MINIMUM.

CONFIDENTIAL - THE INFORMATION CONTAINED IN THIS DOCUMENT IS THE PROPERTY OF GARDNER DENVER, INC. IT IS NOT FOR PUBLIC DISCLOSURE. POSSESSION OF THE INFORMATION DOES NOT CONVEY ANY RIGHT TO LOAN, SELL OR DISCLOSE THE INFORMATION. UNAUTHORIZED REPRODUCTION OR USE OF THE INFORMATION IS PROHIBITED. THIS DOCUMENT IS TO BE RETURNED TO GARDNER DENVER, INC. UPON THE COMPLETION OF THE PURPOSE FOR WHICH IT IS LOANED OR UPON REQUEST.

UNLESS OTHERWISE SPECIFIED
 DIMENSIONS ARE IN INCHES
 TOL. ON DECIMALS: .X = ±.05
 TOL. ON DECIMALS: .XX = ±.02
 TOL. ON DECIMALS: .XXX AS SPECIFIED
 TOL. ON ANGLES: ± 0°-30'

DIMENSIONING AND TOLERANCING PER ASME Y14.5-2009
 THREADS PER ASME B1.1 GAGING SYSTEM 21 U.O.S., ANSI B1.20.1 & B1.20.3

	HEAT TREATMENT	ENG. REF: 278713-0000
	TITLE ES 15 1P IQ-RB	
Gardner Denver Inc. Quincy, IL.	SIZE C	ENGR. APPROVAL TAM
DWN BY L&T 04/13/2015	DWG NO. 301RBX800	REV 01



CK'D BY TAM 05/15/2015	SCALE 1:1	SHEET 1 of 1
---------------------------	--------------	-----------------