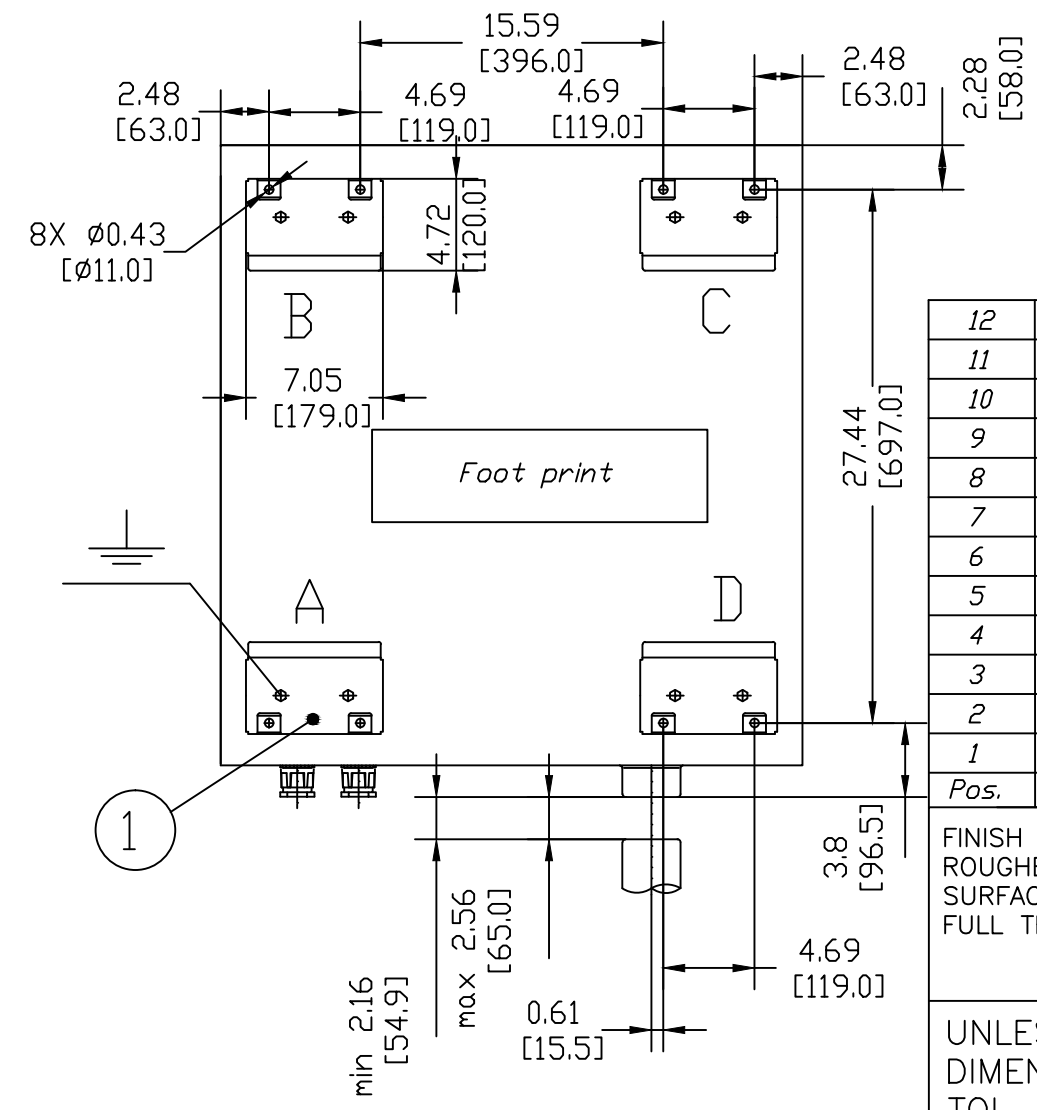
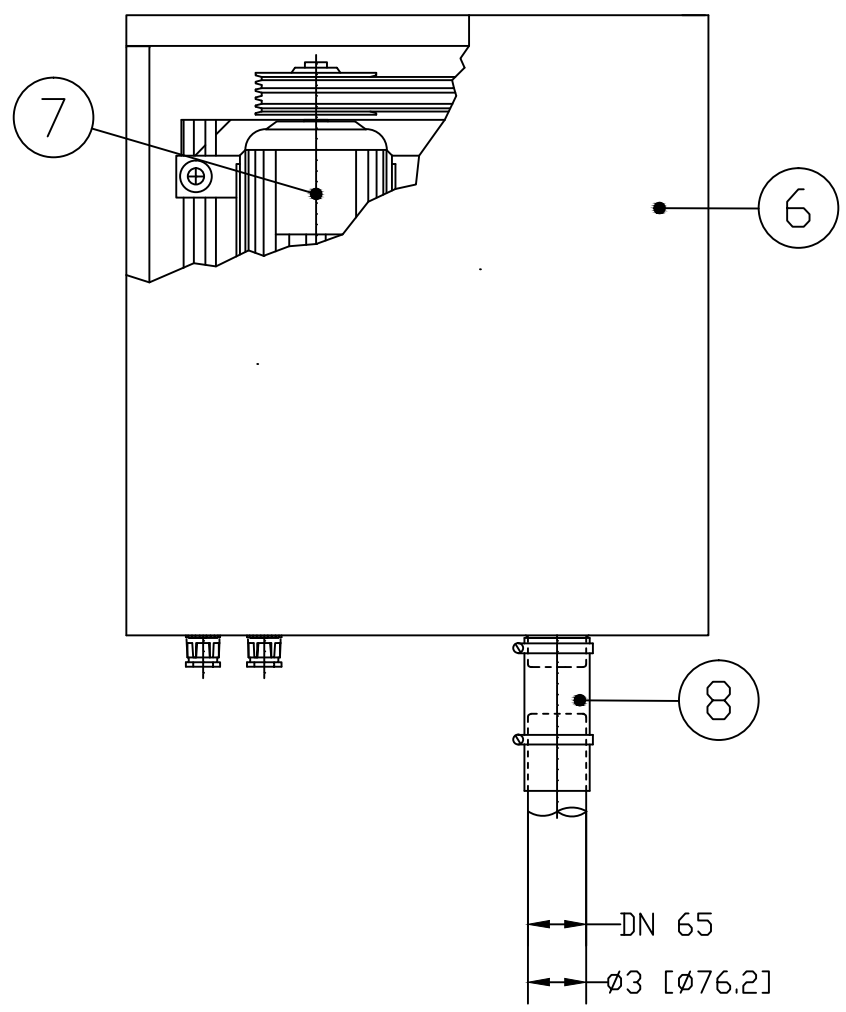
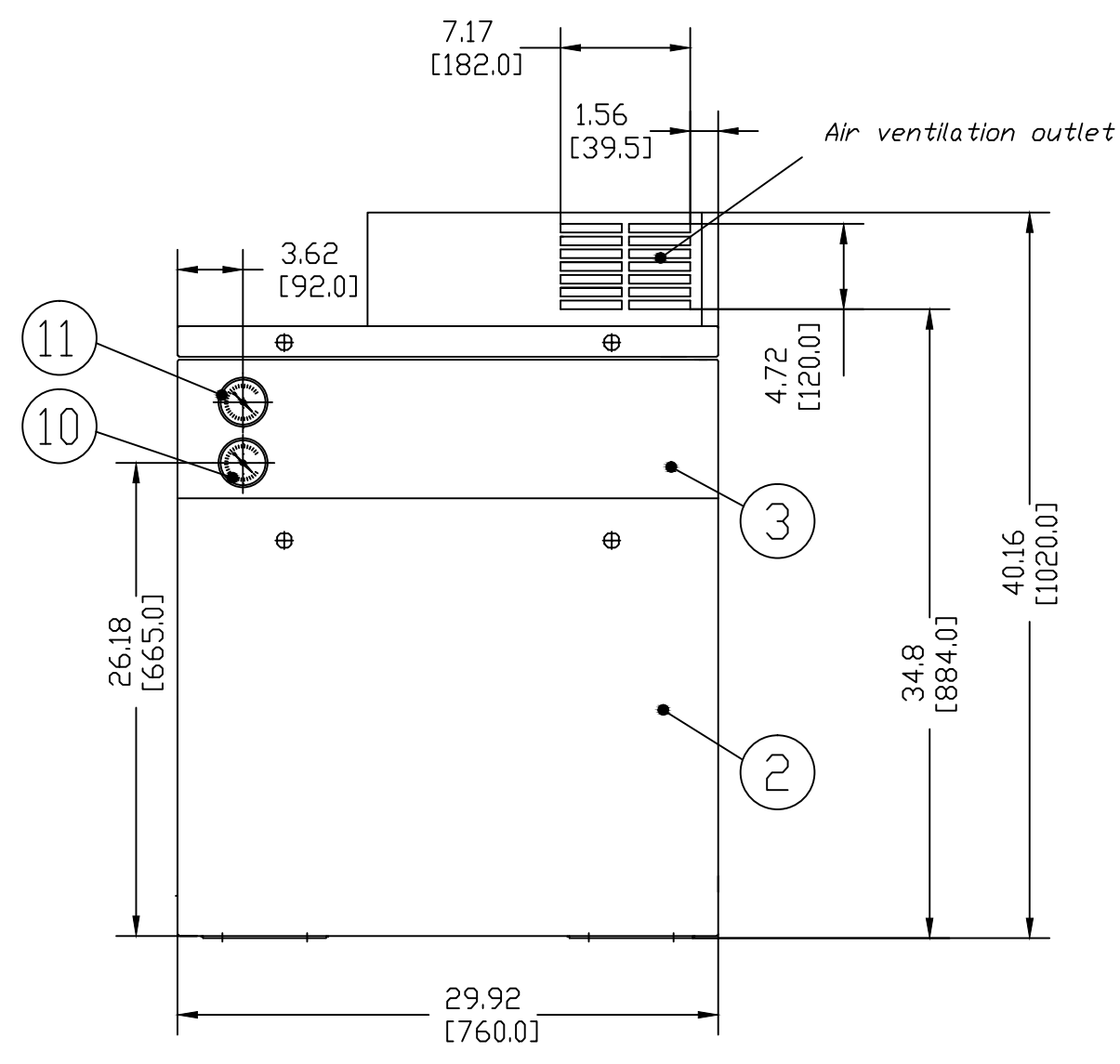
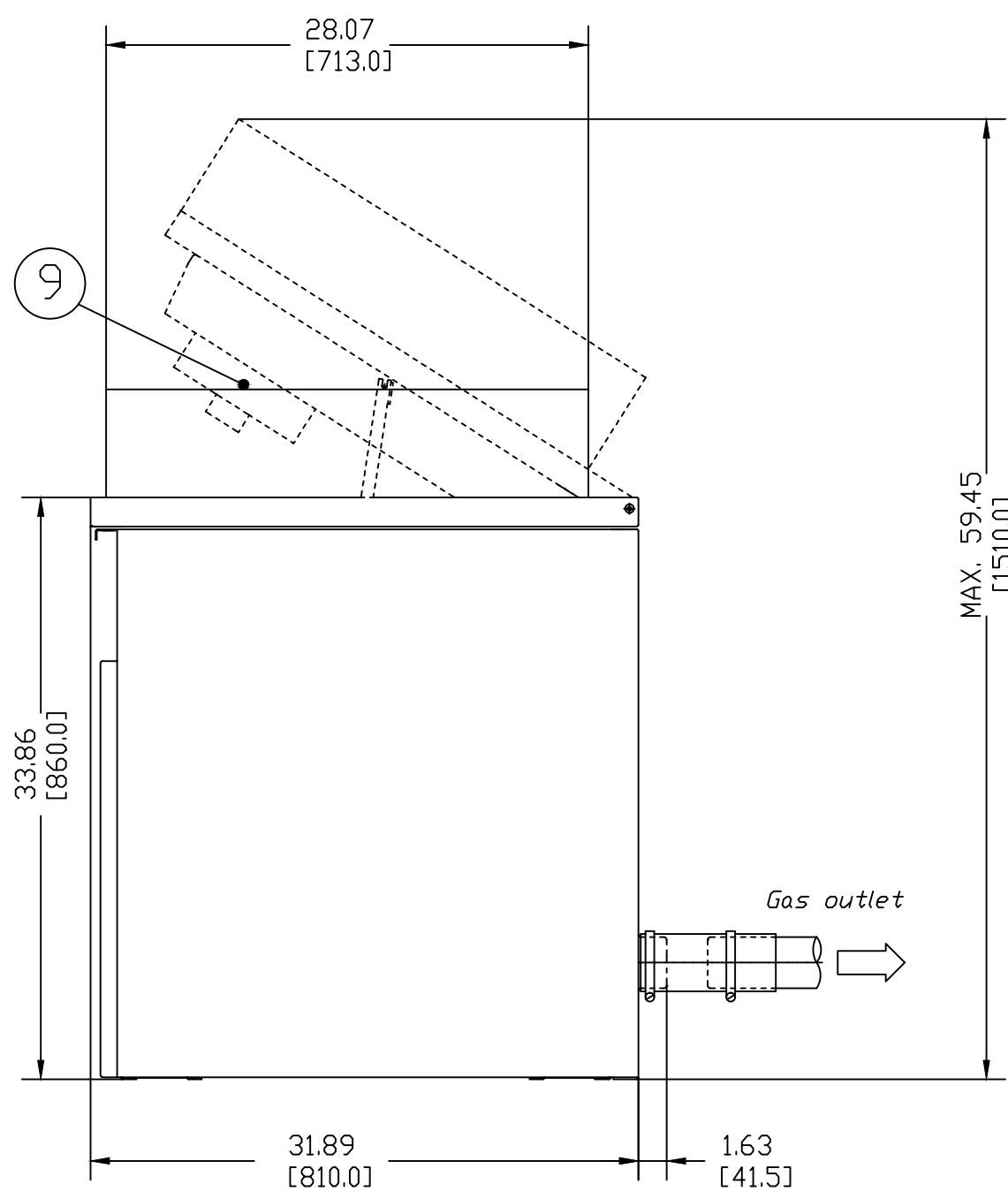
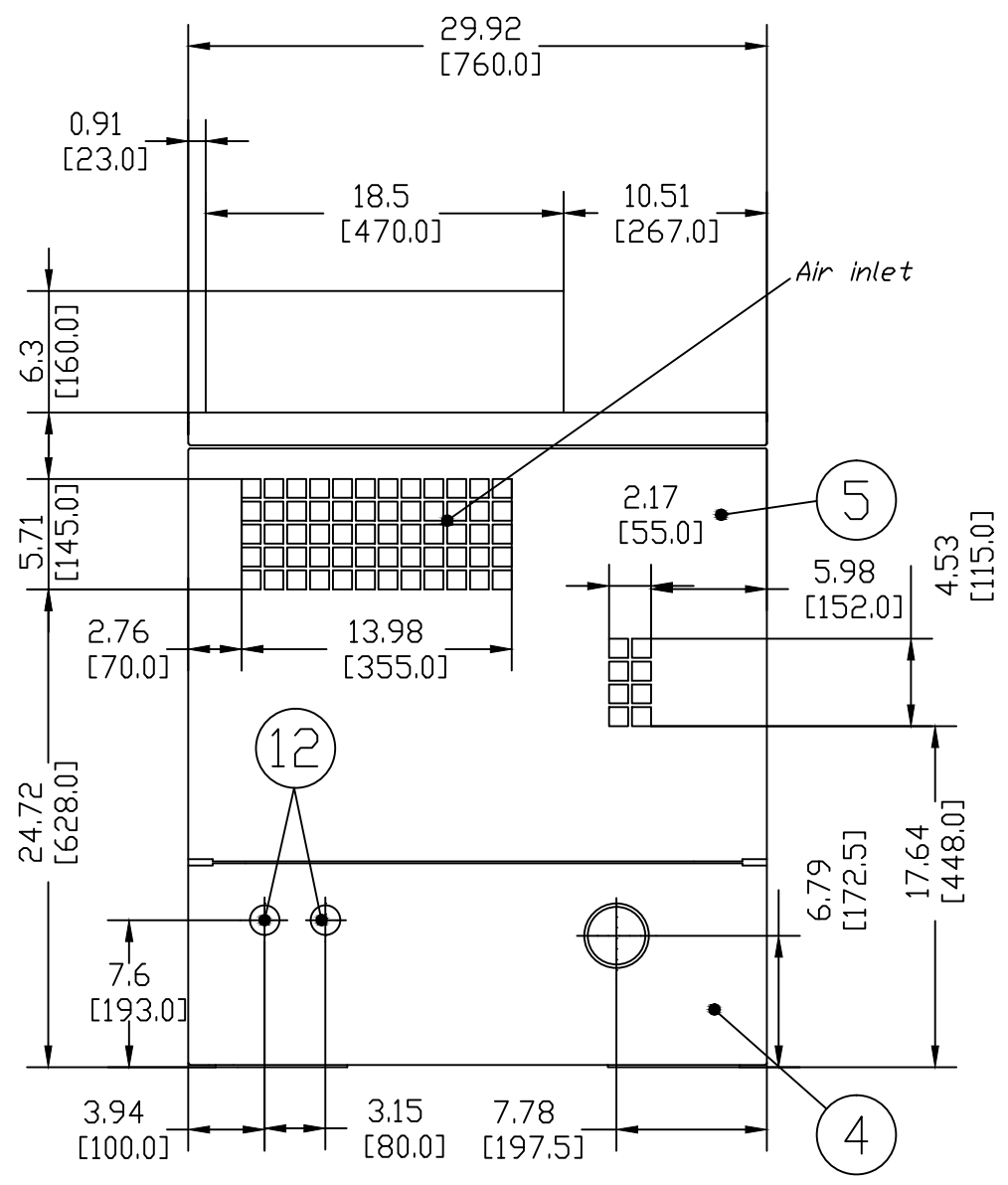


REVISIONS				
REV	DESCRIPTION	DATE	DRAWN	CK'D
01	ADDED ELECTRICAL BOX AS PER ECN 1100838	06/09/2016	L&T	MWS



Pos.	Drawing No.	Denomination	Quantity	Model No.	Material
12	202445-0947	Cable gland PG 29	2		
11	202573-0000	Pressure gauge DN 63	1		
10	202574-0000	Vacuum gauge DN 63	1		
9	205044-0000	Fan CLU 200-2T01	1		
8	187789-0958	Elastic connector ER 65	1		
7	.	Electric Motor	1		
6	323093-1094	Roof Panel	1		
5	323089-1094	Rear Panel	1		
4	323090-1094	Inferior Rear Panel	1		
3	303087-1305	Front Panel Top	1		
2	323086-1094	Front Panel	1		
1	323072-0134	Base Plate	4		

FINISH OF CHAMFERS & FILLETS TO CONFORM TO ROUGHEST ADJACENT AREA. SURFACE ROUGHNESS MAX. PER ASME B46.1 SPEC. FULL THD DEPTHS ARE MINIMUM.

CONFIDENTIAL - THE INFORMATION CONTAINED IN THIS DOCUMENT IS THE PROPERTY OF GARDNER DENVER, INC. IT IS NOT FOR PUBLIC DISCLOSURE. POSSESSION OF THE INFORMATION DOES NOT CONVEY ANY RIGHT TO LOAN, SELL OR DISCLOSE THE INFORMATION. UNAUTHORIZED REPRODUCTION OR USE OF THE INFORMATION IS PROHIBITED. THIS DOCUMENT IS TO BE RETURNED TO GARDNER DENVER, INC. UPON THE COMPLETION OF THE PURPOSE FOR WHICH IT IS LOANED OR UPON REQUEST.

UNLESS OTHERWISE SPECIFIED DIMENSIONS ARE IN INCHES
 TOL. ON DECIMALS: .X = ±.05
 TOL. ON DECIMALS: .XX = ±.02
 TOL. ON DECIMALS: .XXX AS SPECIFIED
 TOL. ON ANGLES: ± 0°-30'

DIMENSIONING AND TOLERANCING PER ASME Y14.5-2009
 THREADS PER ASME B1.1 GAGING SYSTEM 21 U.O.S., ANSI B1.20.1 & B1.20.3

Gardner Denver	HEAT TREATMENT	ENG. REF:
		278714-0000
Gardner Denver Inc. Quincy, IL.	TITLE ES 25 1P IQ-RB	
DWN BY L&T 04/13/2015	SIZE C	ENGR. APPROVAL TAM
CK'D BY TAM 05/15/2015	DWG NO. 303RBX800	REV 01
SCALE 1:1		SHEET 1 of 1

