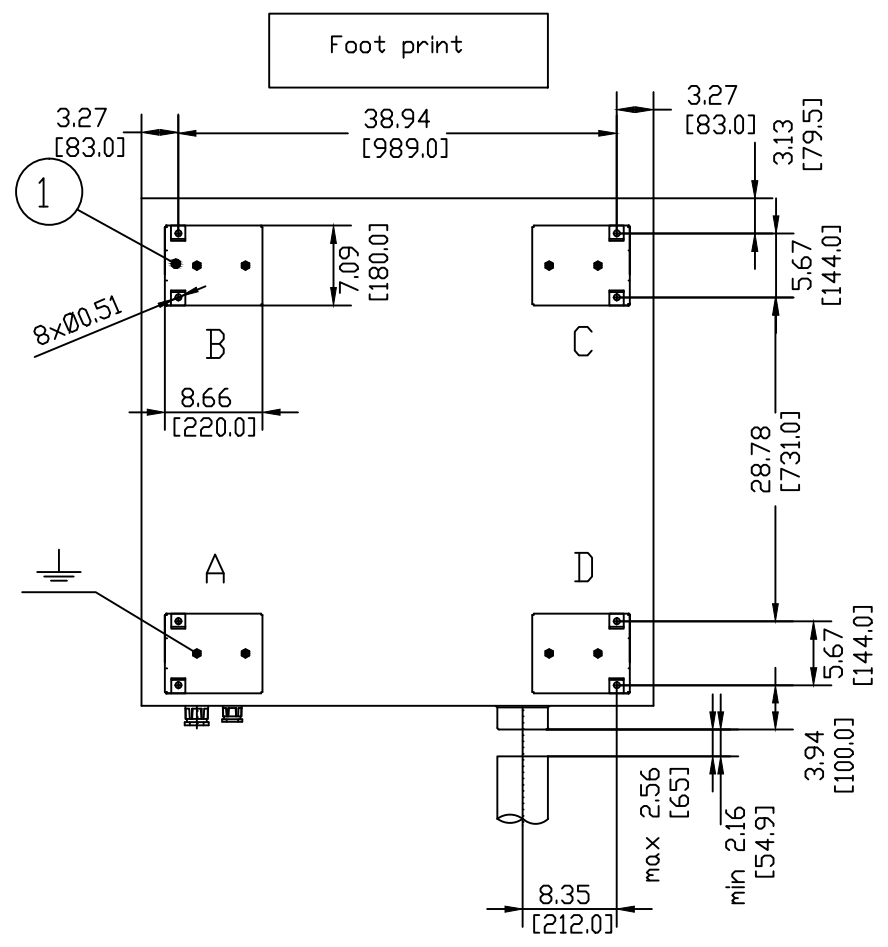
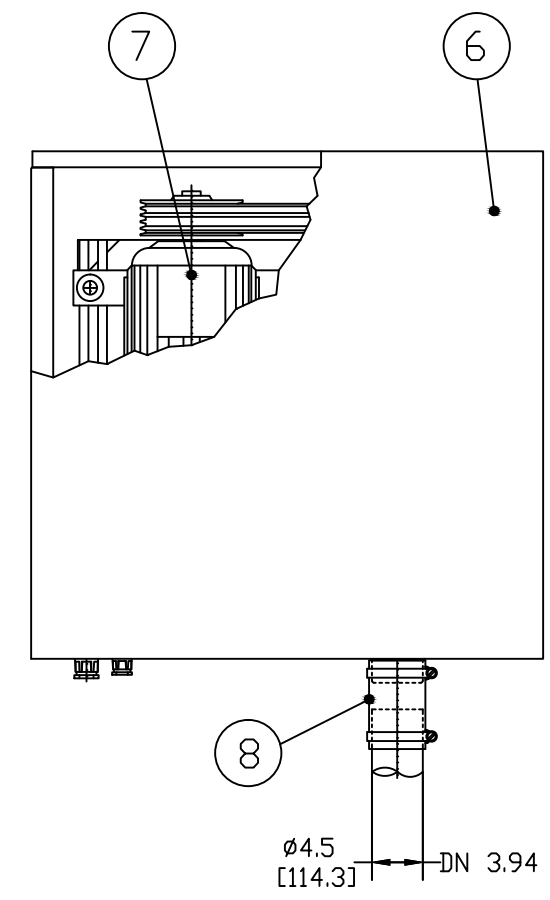
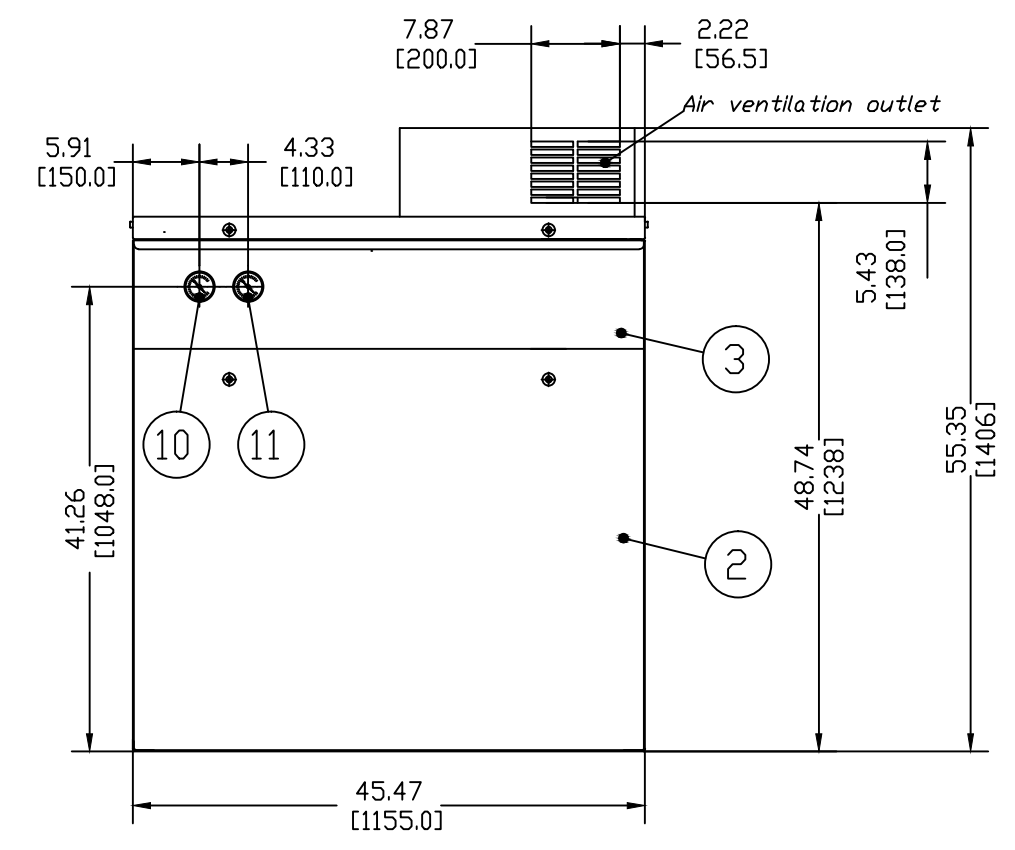
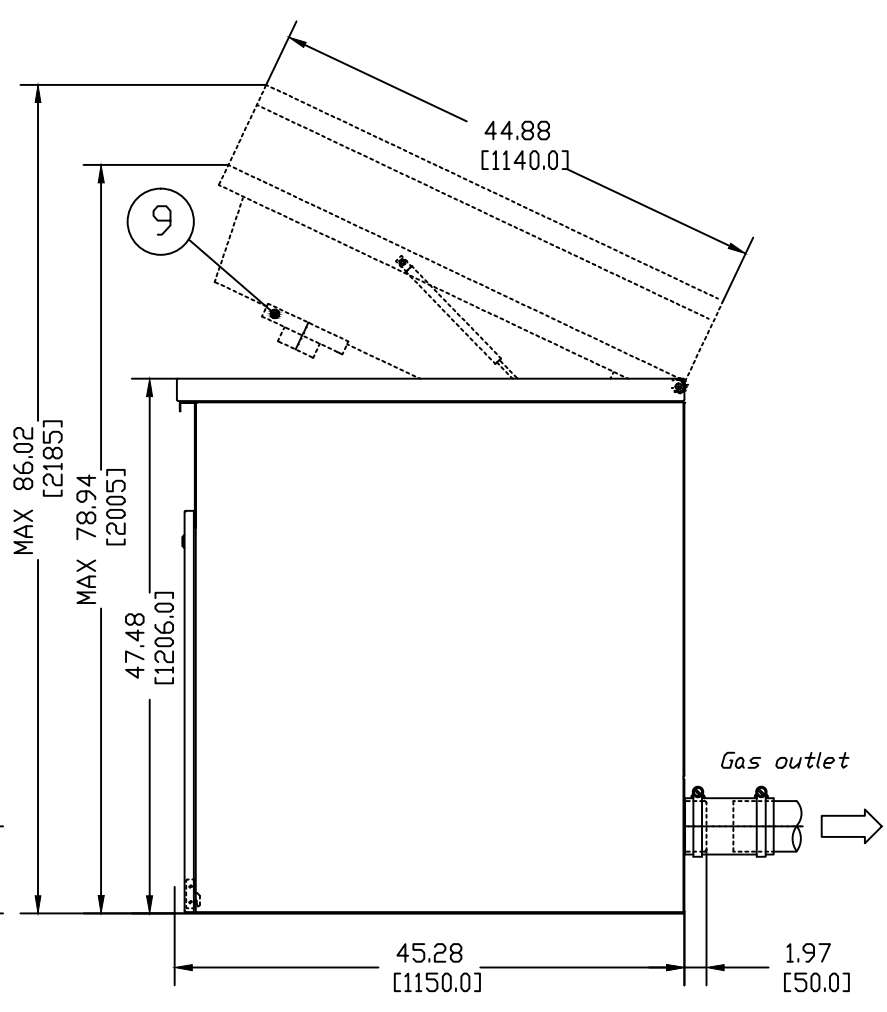
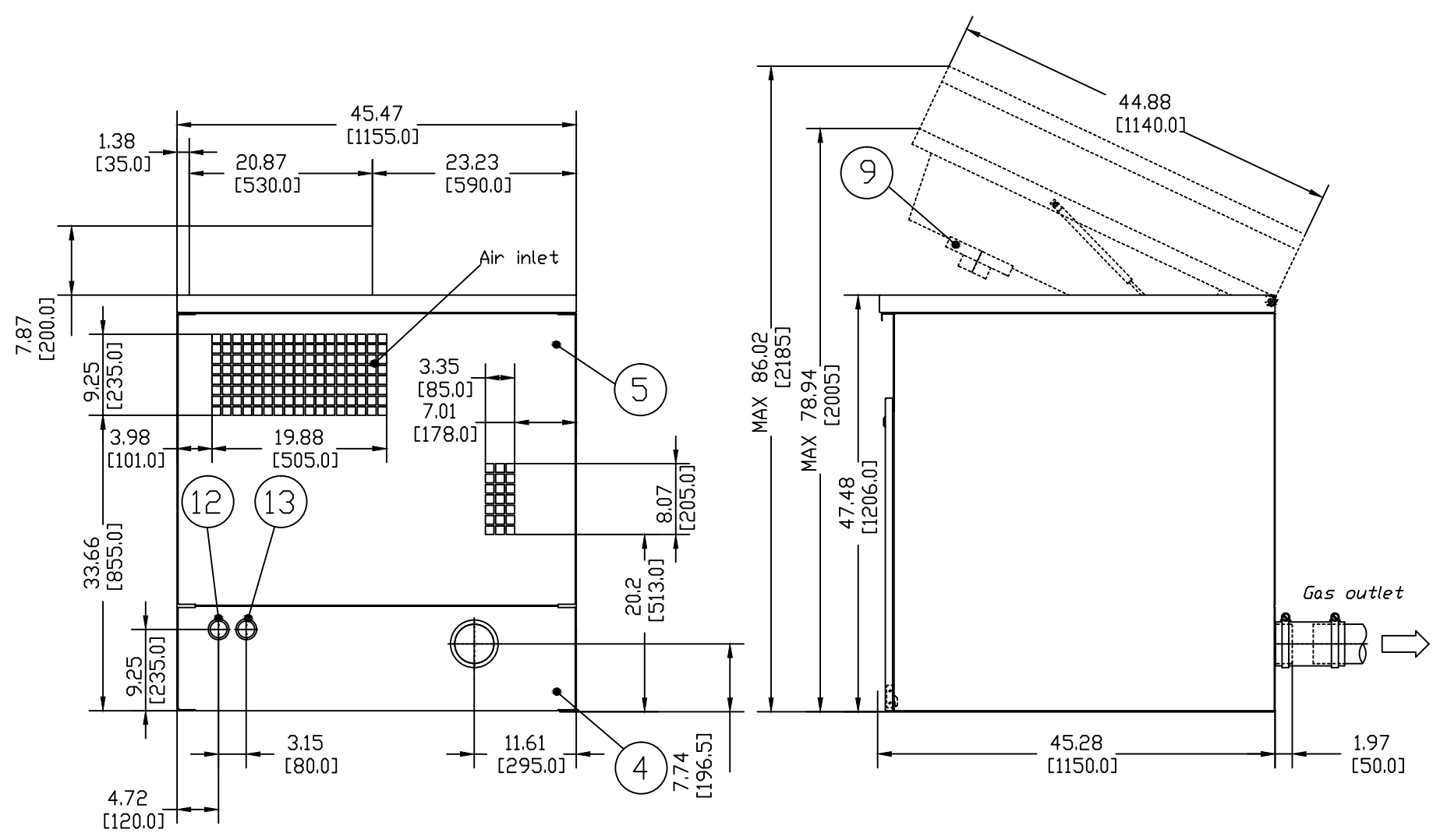


REVISIONS				
REV	DESCRIPTION	DATE	DRAWN	CK'D
01	ADDED ELECTRICAL BOX AS PER ECN 1100838	06/09/2016	L&T	MWS



13	202445-0947	Cable gland PG 29	1		
12	202446-0947	Cable gland PG 36	1		
11	202573-0000	Pressure gauge D63	1		
10	202574-0000	Vacuum gauge D63	1		
9	205012-0000	VENTILATORE CLU 250-2T01	1		
8	187791-0958	Elastic connector ER 100	1		
7	.	Electric motor	1		
6	323078-1094	Roof panel	1		
5	323074-1094	Rear panel	1		
4	323077-1094	Inferior rear panel	1		
3	323082-1305	Front panel top	1		
2	322843-1094	Front panel	1		
1	323073-0134	Base plate	4		
Pos	Drawing no	Description	Quantity	Model no	Material

FINISH OF CHAMFERS & FILLETS TO CONFORM TO ROUGHEST ADJACENT AREA. SURFACE ROUGHNESS MAX. PER ASME B46.1 SPEC. FULL THD DEPTHS ARE MINIMUM.

UNLESS OTHERWISE SPECIFIED DIMENSIONS ARE IN INCHES
 TOL. ON DECIMALS: .X = ± 0.05
 TOL. ON DECIMALS: .XX = ± 0.02
 TOL. ON DECIMALS: .XXX AS SPECIFIED
 TOL. ON ANGLES: $\pm 0^\circ-30'$

DIMENSIONING AND TOLERANCING PER ASME Y14.5-2009
 THREADS PER ASME B1.1 GAGING SYSTEM 21 U.O.S., ANSI B1.20.1 & B1.20.3

Gardner Denver	HEAT TREATMENT	ENG. REF:
		278717-0000
TITLE ES 46 2P IQ-RB		
Gardner Denver Inc. Quincy, IL.	SIZE C	ENGR. APPROVAL TAM
DWN BY L&T 04/13/2015	DWG NO. 312RBX800	REV 01
CK'D BY TAM 05/18/2015	SCALE 1:1	SHEET 1 of 1

