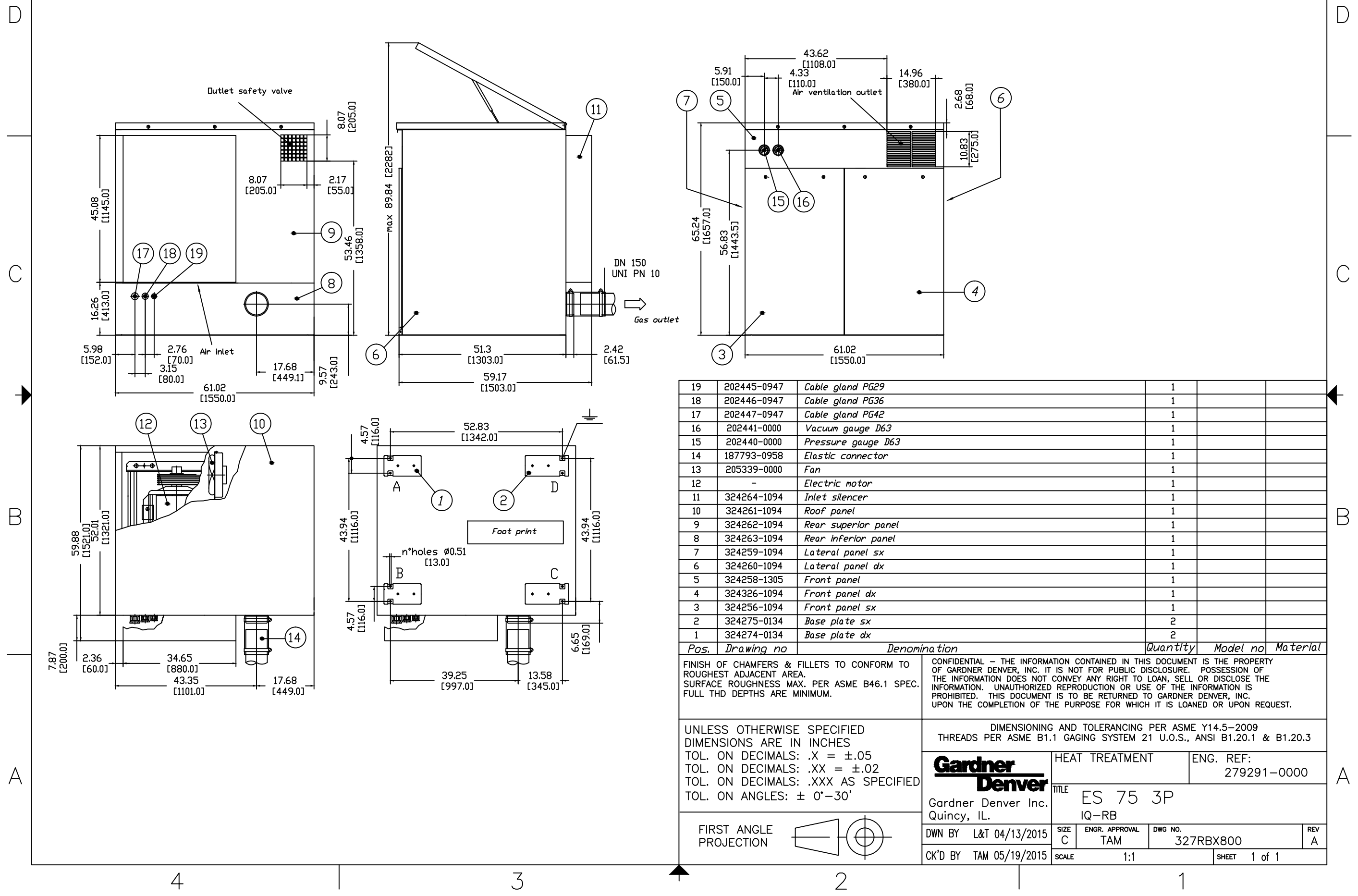


REVISIONS				
REV	DESCRIPTION	DATE	DRAWN	CK'D
A	RELEASED AS PER ECN 1091665	04/13/15	L&T	TAM



19	202445-0947	Cable gland PG29	1		
18	202446-0947	Cable gland PG36	1		
17	202447-0947	Cable gland PG42	1		
16	202441-0000	Vacuum gauge D63	1		
15	202440-0000	Pressure gauge D63	1		
14	187793-0958	Elastic connector	1		
13	205339-0000	Fan	1		
12	-	Electric motor	1		
11	324264-1094	Inlet silencer	1		
10	324261-1094	Roof panel	1		
9	324262-1094	Rear superior panel	1		
8	324263-1094	Rear inferior panel	1		
7	324259-1094	Lateral panel sx	1		
6	324260-1094	Lateral panel dx	1		
5	324258-1305	Front panel	1		
4	324326-1094	Front panel dx	1		
3	324256-1094	Front panel sx	1		
2	324275-0134	Base plate sx	2		
1	324274-0134	Base plate dx	2		

Pos. Drawing no Denomination Quantity Model no Material

FINISH OF CHAMFERS & FILLETS TO CONFORM TO ROUGHEST ADJACENT AREA.  
SURFACE ROUGHNESS MAX. PER ASME B46.1 SPEC.  
FULL THD DEPTHS ARE MINIMUM.

CONFIDENTIAL - THE INFORMATION CONTAINED IN THIS DOCUMENT IS THE PROPERTY OF GARDNER DENVER, INC. IT IS NOT FOR PUBLIC DISCLOSURE. POSSESSION OF THE INFORMATION DOES NOT CONVEY ANY RIGHT TO LOAN, SELL OR DISCLOSE THE INFORMATION. UNAUTHORIZED REPRODUCTION OR USE OF THE INFORMATION IS PROHIBITED. THIS DOCUMENT IS TO BE RETURNED TO GARDNER DENVER, INC. UPON THE COMPLETION OF THE PURPOSE FOR WHICH IT IS LOANED OR UPON REQUEST.

UNLESS OTHERWISE SPECIFIED  
DIMENSIONS ARE IN INCHES  
TOL. ON DECIMALS: .X = ±.05  
TOL. ON DECIMALS: .XX = ±.02  
TOL. ON DECIMALS: .XXX AS SPECIFIED  
TOL. ON ANGLES: ± 0°-30'

DIMENSIONING AND TOLERANCING PER ASME Y14.5-2009  
THREADS PER ASME B1.1 GAGING SYSTEM 21 U.O.S., ANSI B1.20.1 & B1.20.3

<b>Gardner Denver</b>	HEAT TREATMENT	ENG. REF: 279291-0000
	TITLE ES 75 3P IQ-RB	
Gardner Denver Inc. Quincy, IL.	DWN BY L&T 04/13/2015	SCALE 1:1
CK'D BY TAM 05/19/2015	ENGR. APPROVAL TAM	DWG NO. 327RBX800
		REV A
		SHEET 1 of 1

