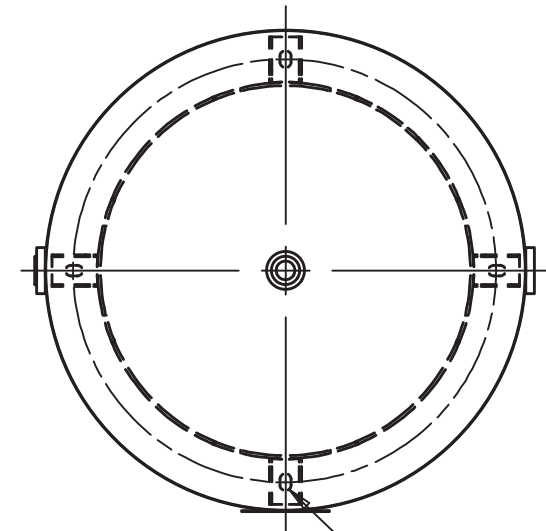
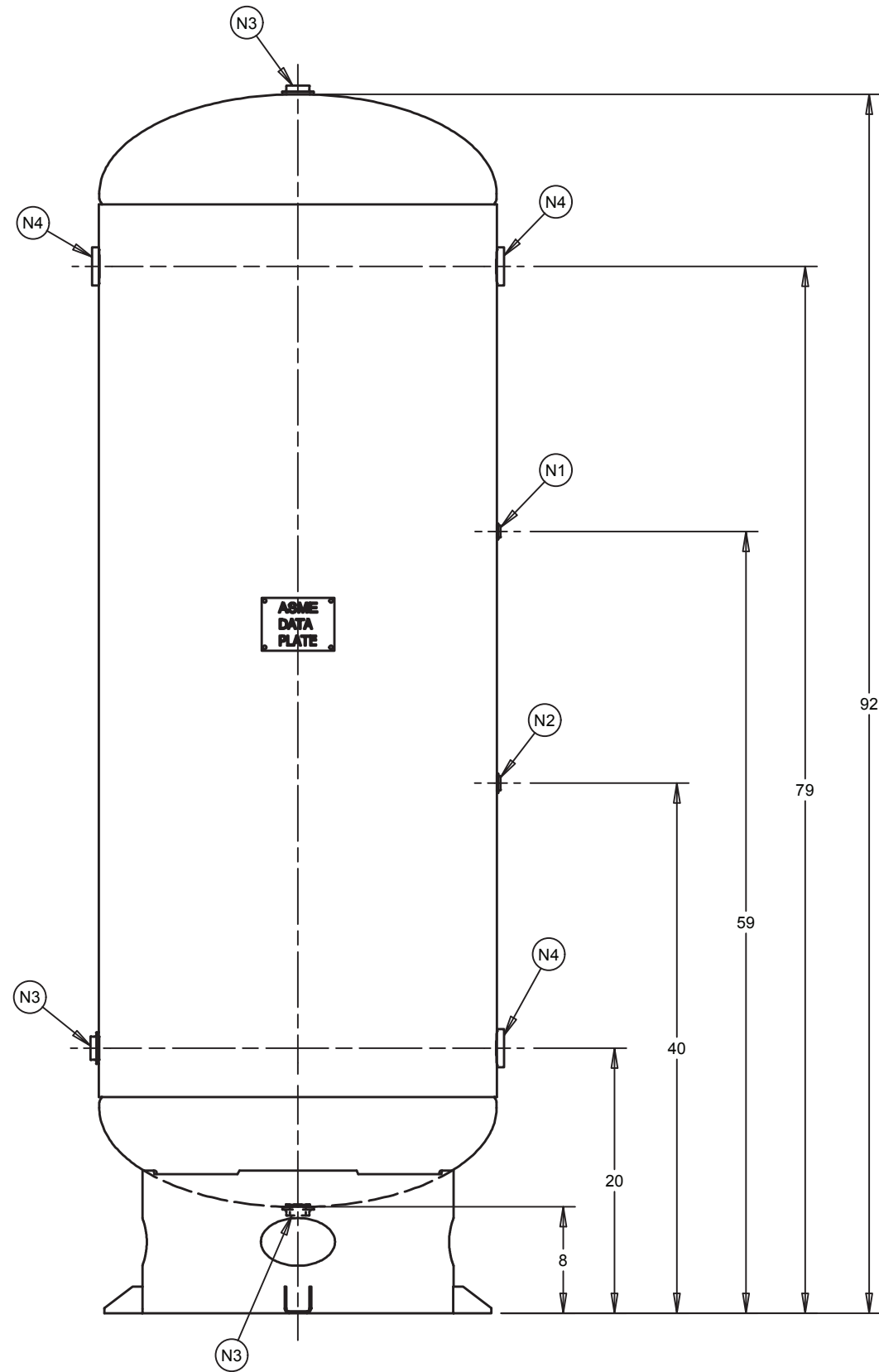


NOZZLE CHART	
NOZZLE ID	NPT SIZE
N1	1/4
N2	1/2
N3	1
N4	2



11/16 X 1 1/16 SLOT 4-PLACES
EQUALLY SPACED
ON A 26 7/16 DIA BC

TOP VIEW



DESIGN INFORMATION	
SPECIFICATION	VALUE
DIAMETER O.D./I.D.	30 O.D.
MAWP	200 PSI AT 400°F
MDMT	-20°F AT 200 PSI
CAPACITY	APPROX 240 GALLONS
SHIPPING WEIGHT	542 LBS
CRN	L4036.5C

TITLE VERTICAL AIR RECEIVER					
CUSTOMER STOCK					
TYPE ASME	DRAWN KAT 9/9/2016	CHECKED DMM 10/7/2016	DRAWING NO A10053	REV D20	
SIZE: B		SHEET 1 OF 1			

REV	DESCRIPTION	BY	DATE
D20	ISSUED		

(BUILT IN ACCORDANCE WITH LATEST EDITION OF SECTION VIII DIV 1 ASME CODE)
THIS DRAWING & SPECIFICATIONS ARE PROPERTY OF SPVG AND MAY NOT BE COPIED, REPRODUCED, OR USED IN WHOLE OR PART, AS A BASIS FOR DESIGN MANUFACTURE OR SALE WITHOUT PRIOR PERMISSION FROM SPVG.