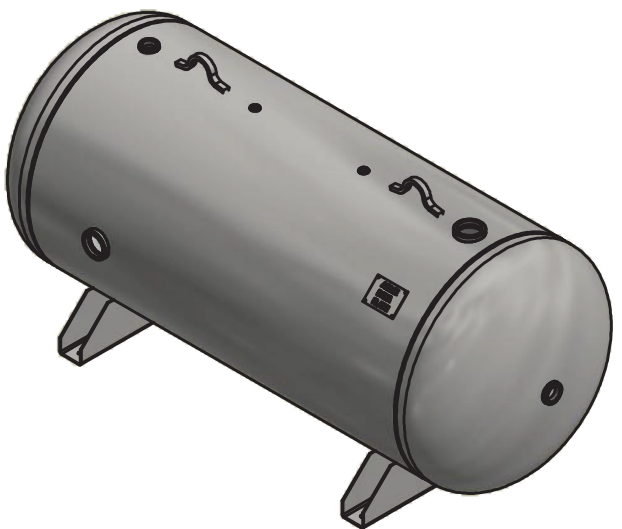
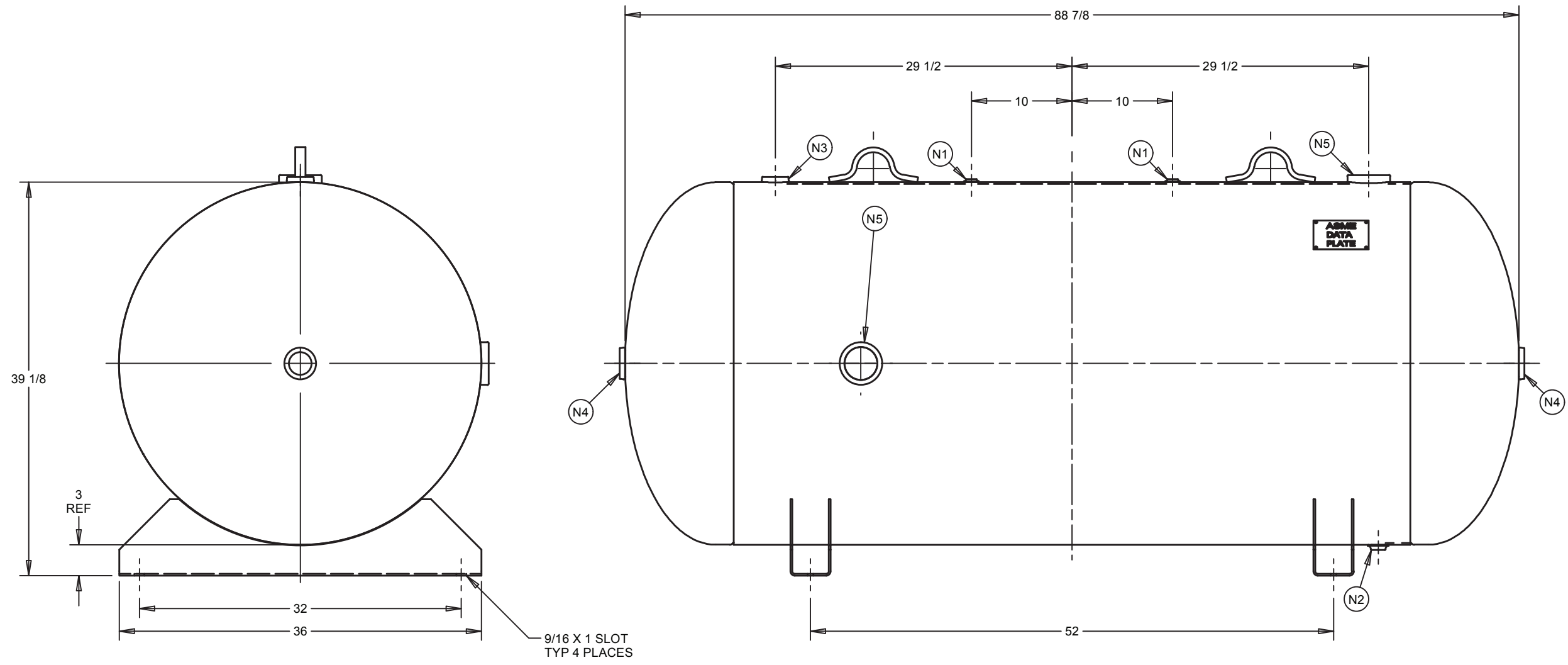


NOZZLE CHART	
NOZZLE ID	NPT SIZE
N1	1/2
N2	3/4
N3	1 1/2
N4	2
N5	3



DESIGN INFORMATION	
SPECIFICATION	VALUE
DIAMETER O.D./I.D.	36 O.D.
MAWP	165 PSI AT 400°F
MDMT	-20°F AT 165 PSI
CAPACITY	APPROX 358 GALLONS
SHIPPING WEIGHT	696 LBS
CRN	L4039.5C

TITLE HORIZONTAL AIR RECEIVER		AIRCOM TECHNOLOGIES	
CUSTOMER STOCK		DRAWN KAT	CHECKED DMM
TYPE ASME		DRAWING NO A10346	REV D15
REV D15 ISSUED		SIZE: B SHEET 1 OF 1	

(BUILT IN ACCORDANCE WITH LATEST EDITION OF SECTION VIII DIV 1 ASME CODE)

THIS DRAWING & SPECIFICATIONS ARE PROPERTY OF SPVG AND MAY NOT BE COPIED, REPRODUCED, OR USED IN WHOLE OR PART, AS A BASIS FOR DESIGN MANUFACTURE OR SALE WITHOUT PRIOR PERMISSION FROM SPVG.

REV	DESCRIPTION	BY	DATE
D15	ISSUED		