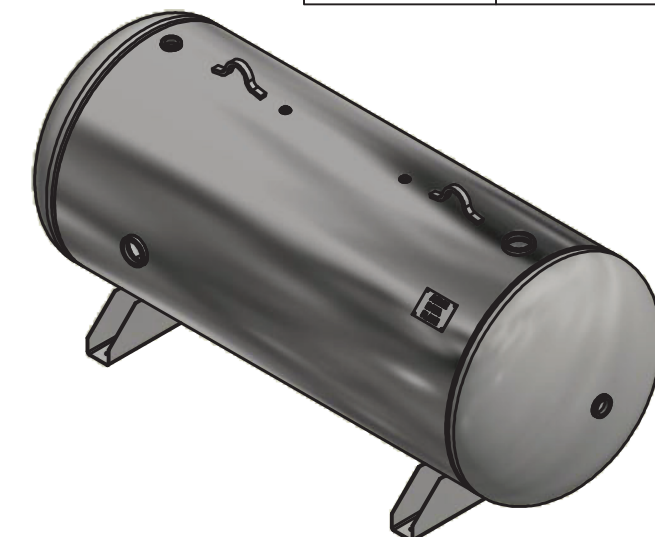
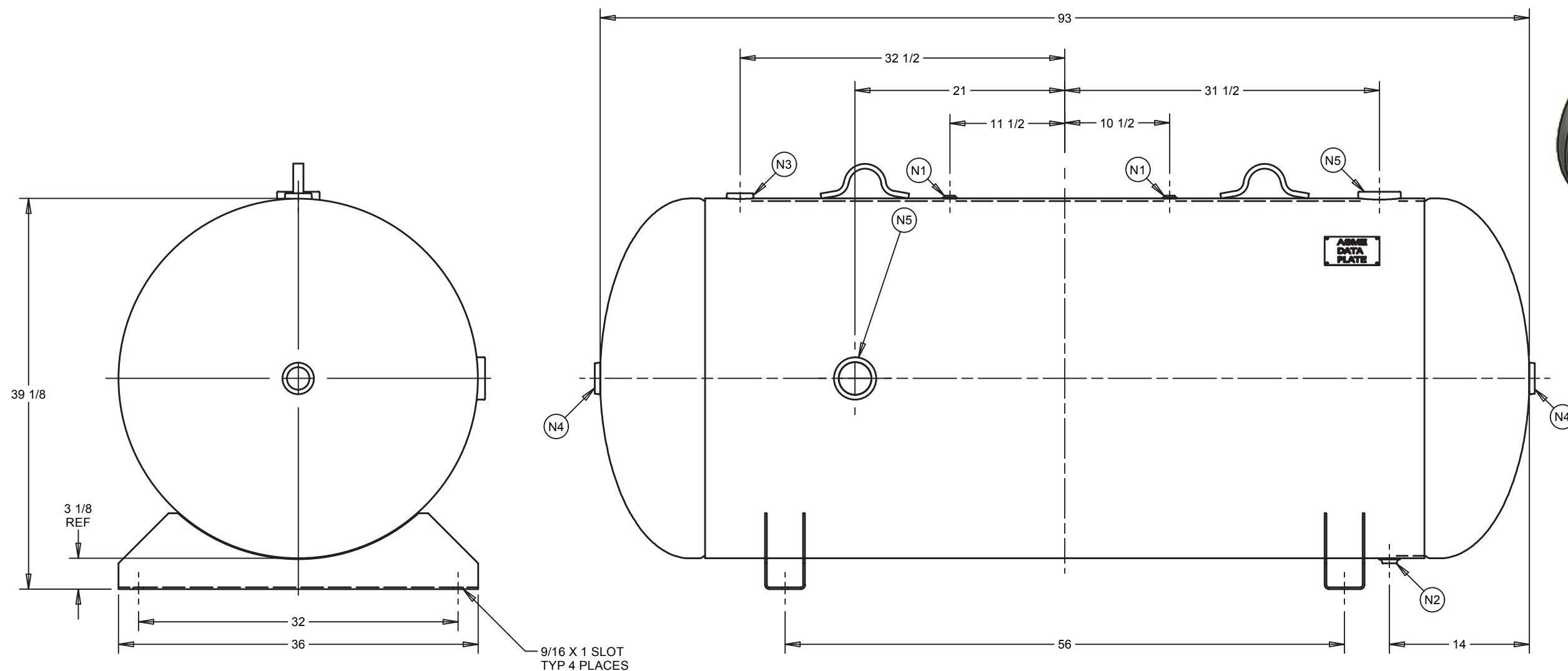


NOZZLE CHART	
NOZZLE ID	NPT SIZE
N1	1/2
N2	3/4
N3	1 1/2
N4	2
N5	3



DESIGN INFORMATION	
SPECIFICATION	VALUE
DIAMETER O.D./I.D.	36 O.D.
MAWP	200 PSI AT 400°F
MDMT	-20°F AT 200 PSI
CAPACITY	APPROX 400 GALLONS
SHIPPING WEIGHT	890 LBS
CRN	L4040.5678901234T

TITLE HORIZONTAL AIR RECEIVER		DRAWN KAT		CHECKED DMM		DRAWING NO A10348		REV D14	
CUSTOMER STOCK		9/20/2016		10/14/2016		ASME		SIZE: B	
TYPE ASME		SHEET 1 OF 1							

(BUILT IN ACCORDANCE WITH LATEST EDITION OF SECTION VIII DIV 1 ASME CODE)
THIS DRAWING & SPECIFICATIONS ARE PROPERTY OF SPVG AND MAY NOT BE COPIED, REPRODUCED, OR USED IN WHOLE OR PART, AS A BASIS FOR DESIGN MANUFACTURE OR SALE WITHOUT PRIOR PERMISSION FROM SPVG.

D14	ISSUED	BY	DATE
REV	DESCRIPTION	BY	DATE