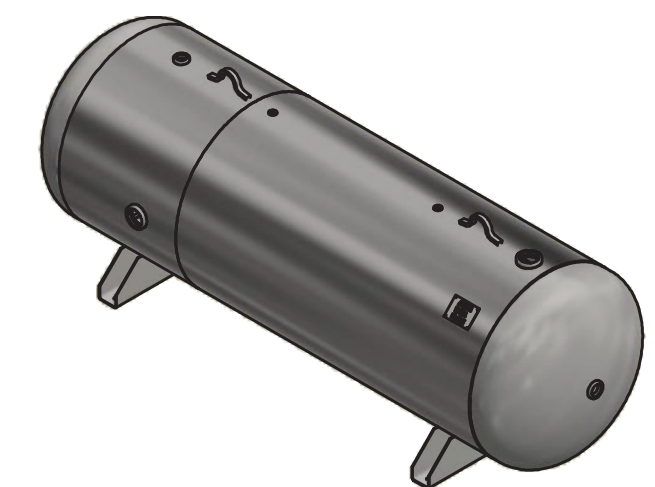
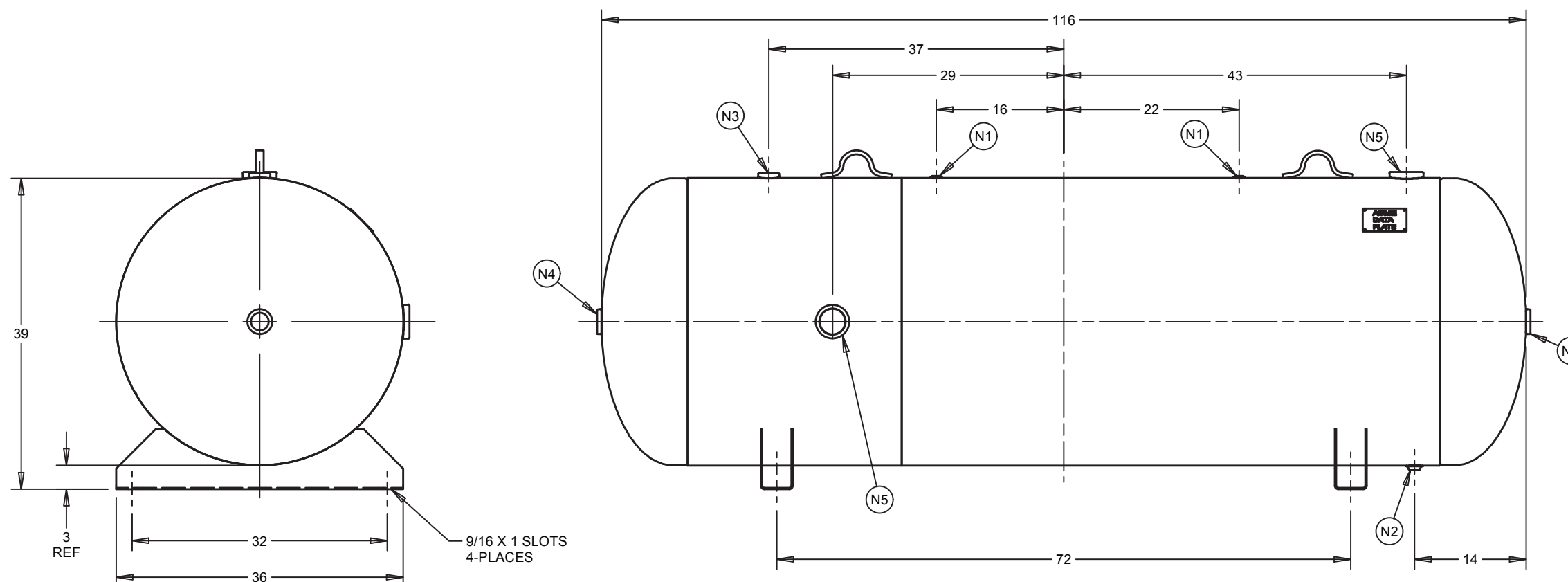


NOZZLE CHART	
NOZZLE ID	NPT SIZE
N1	1/2
N2	3/4
N3	1 1/2
N4	2
N5	3



DESIGN INFORMATION	
SPECIFICATION	VALUE
DIAMETER O.D./I.D.	36 O.D.
MAWP	165 PSI AT 400°F
MDMT	-20°F AT 165 PSI
CAPACITY	APPROX 500 GALLONS
SHIPPING WEIGHT	944 LBS
CRN	L4039.5C

TITLE HORIZONTAL AIR RECEIVER		DRAWN KAT		CHECKED DMM		DRAWING NO A10352		REV D10	
CUSTOMER STOCK		TYPE ASME		DATE 9/30/2016		DATE 10/17/2016		SIZE: B	
								SHEET 1 OF 1	

REV	DESCRIPTION	BY	DATE
D10	ISSUED		

(BUILT IN ACCORDANCE WITH LATEST EDITION OF SECTION VIII DIV 1 ASME CODE)

THIS DRAWING & SPECIFICATIONS ARE PROPERTY OF SPVG AND MAY NOT BE COPIED, REPRODUCED, OR USED IN WHOLE OR PART, AS A BASIS FOR DESIGN MANUFACTURE OR SALE WITHOUT PRIOR PERMISSION FROM SPVG.