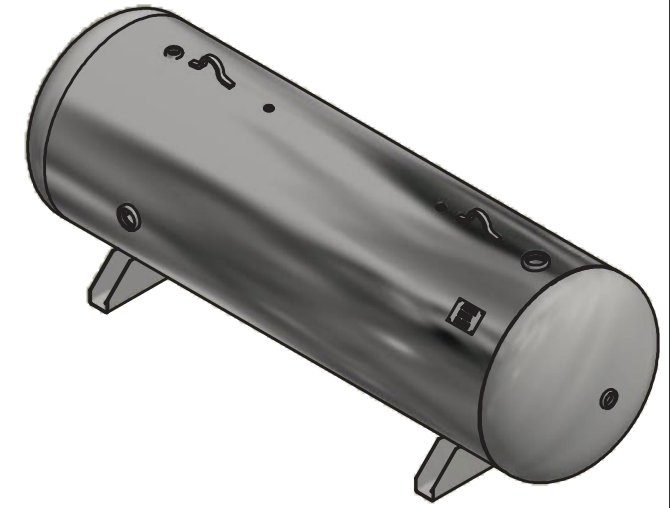
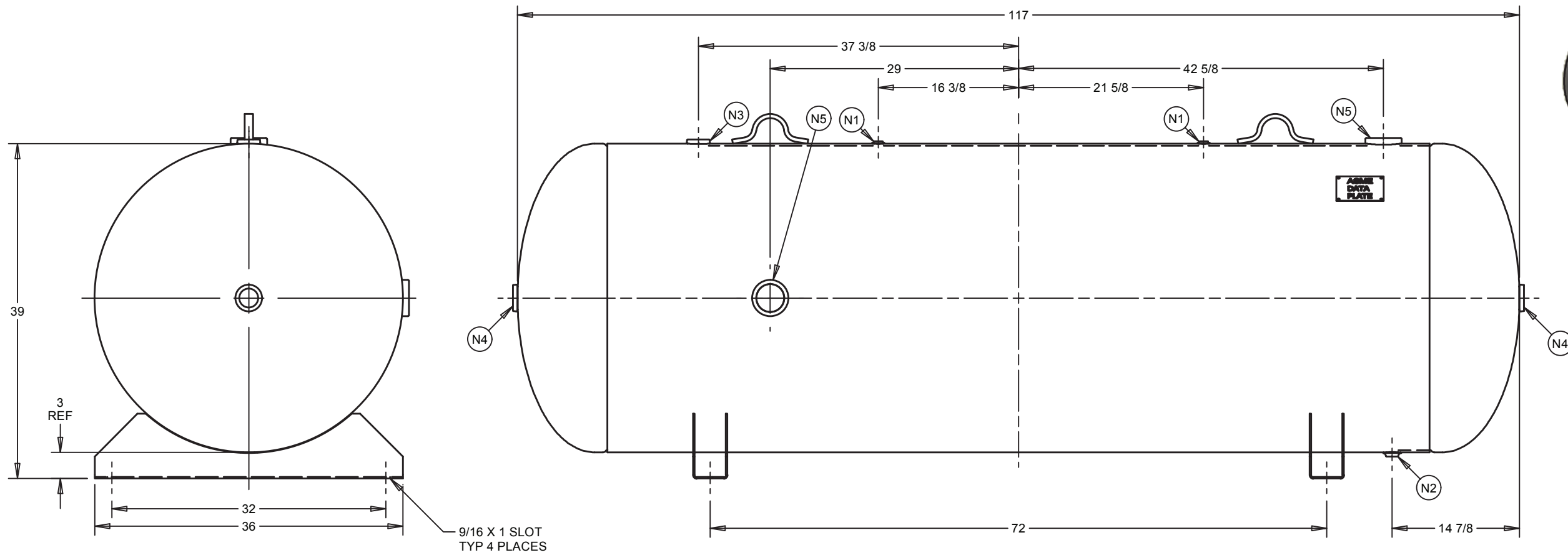


NOZZLE CHART	
NOZZLE ID	NPT SIZE
N1	1/2
N2	3/4
N3	1 1/2
N4	2
N5	3



DESIGN INFORMATION	
SPECIFICATION	VALUE
DIAMETER O.D./I.D.	36 O.D.
MAWP	200 PSI AT 400°F
MDMT	-20°F AT 200 PSI
CAPACITY	APPROX 500 GALLONS
SHIPPING WEIGHT	1092 LBS
CRN	L4040.5678901234T

TITLE HORIZONTAL AIR RECEIVER		DRAWN KAT		CHECKED DMM		DRAWING NO A10354		REV C8	
CUSTOMER STOCK		ASME		SIZE: B		SHEET 1 OF 1			

(BUILT IN ACCORDANCE WITH LATEST EDITION OF SECTION VIII DIV 1 ASME CODE)

THIS DRAWING & SPECIFICATIONS ARE PROPERTY OF SPVG AND MAY NOT BE COPIED, REPRODUCED, OR USED IN WHOLE OR PART, AS A BASIS FOR DESIGN MANUFACTURE OR SALE WITHOUT PRIOR PERMISSION FROM SPVG.

C8	ISSUED	BY	DATE
REV	DESCRIPTION	BY	DATE